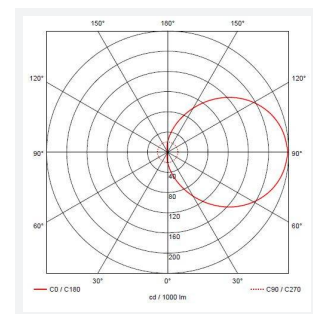
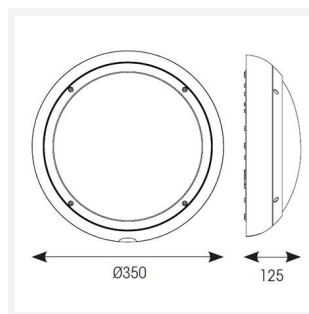




# Vision

Vision CCT Dual Wattage DALI DALI-Emergency  
Code: AVIL/1/GR/DD3/DM3

|               |  |
|---------------|--|
| Category      | Bulkheads  |
| Application   | Ancillary, Hospitality, Outdoor, Residential, Retail |
| Specification | Performance  |



## PRODUCT FEATURES

- IP65 CCT polycarbonate luminaire suitable for healthcare, educational, commercial and industrial applications
- UV stabilised polycarbonate constructions allows installation into areas exposed to adverse weather conditions
- Clip in gear tray ensures quick installation
- Dimmable, Photocell, MWS and Emergency options available
- CCT selectable between 3000K and 4000K and power selectable; offering a choice of 2 outputs, in one luminaire
- Top, bottom and side conduit entry covers retain sleek appearance when not in use
- Corridor function options available for effective reduction in energy consumption
- Powered by Tridonic

### GENERAL INFORMATION

|                                  |                   |
|----------------------------------|-------------------|
| Wattage                          | 9W - 18W          |
| Lumens Delivered                 | 1300lm - 2100lm   |
| Lm/W                             | 130lm/W - 120lm/W |
| Beam Angle                       | 110               |
| CRI                              | 80                |
| CCT                              | 3000/4000K        |
| Input                            | 220-240V          |
| Operating Temp                   | 5°C - 40°C        |
| SDCM                             | 6                 |
| Energy efficiency class          | C                 |
| Product Weight without Packaging | 1.57 kg           |

### TECHNICAL INFORMATION

|                                |                     |
|--------------------------------|---------------------|
| Light Source                   | LED                 |
| Colour / Finish                | Graphite            |
| IP Rating                      | IP65                |
| Class Protection               | 2                   |
| Internal / External            | Internal / External |
| Surface / Recessed / Suspended | Ceiling, Wall       |
| Lumen Depreciation             | L80 54,000h         |
| Warranty (Years)               | 5                   |
| CE Mark                        | Yes                 |
| Diameter                       | 350 mm              |
| Height                         | 110 mm              |

