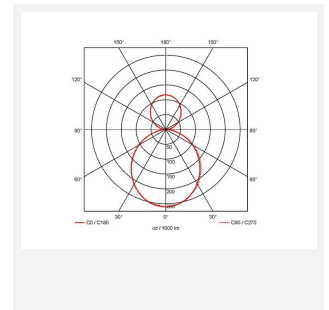
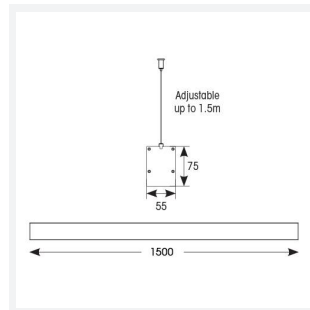
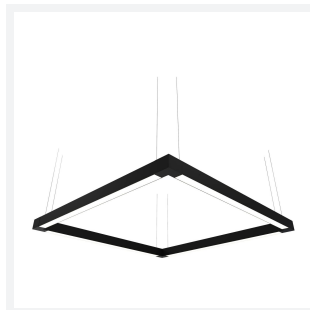


Vasco

Vasco CCT Bi-directional Suspended Linear Code: AVASLED5

| | |
|---------------|-----------------------|
| Category | Commercial Linear |
| Application | Commercial, Education |
| Specification | Architectural |



PRODUCT FEATURES

- Aluminium bi-directional suspended or surface linear suitable for education, commercial and retail applications
- Supplied bidirectional light output as standard with 30% upward light and 70% downward light ratio (directional only option can be selected if required)
- Selectable CCT between 3000K, 4000K and 6500K output
- Adjustable suspension points c/w suspension kit
- Aluminium extruded construction with integral driver
- Opal diffuser provides optimal light uniformity
- Pre-wired with 1.5 metre cable
- Surface and track mounting available using AVAS/WM/1 and AVAS/P3/1/* accessories

| GENERAL INFORMATION | |
|----------------------------------|-----------------|
| Wattage | 60W |
| Lumens Delivered | 6300lm (4000K) |
| Lm/W | 105lm/W (4000K) |
| Beam Angle | 110 |
| CRI | 80 |
| CCT | 3000/4000/6500K |
| Input | 220/240V |
| Operating Temp | -20°C - 45°C |
| SDCM | 6 |
| UGR | 23 |
| Product Weight without Packaging | 3.132 kg |

| TECHNICAL INFORMATION | |
|--------------------------------|--------------------------------------|
| Light Source | LED |
| Colour / Finish | Aluminium |
| IP Rating | IP20 |
| Class Protection | 1 |
| Internal / External | Internal |
| Surface / Recessed / Suspended | Ceiling, Suspended, Wall |
| Lumen Depreciation | L80 70,000h |
| Warranty (Years) | 5 |
| CE Mark | Yes |
| Height | 75 mm |
| Accessories | AVASLED/LC, AVASLED/90, AVASLED/90/B |

