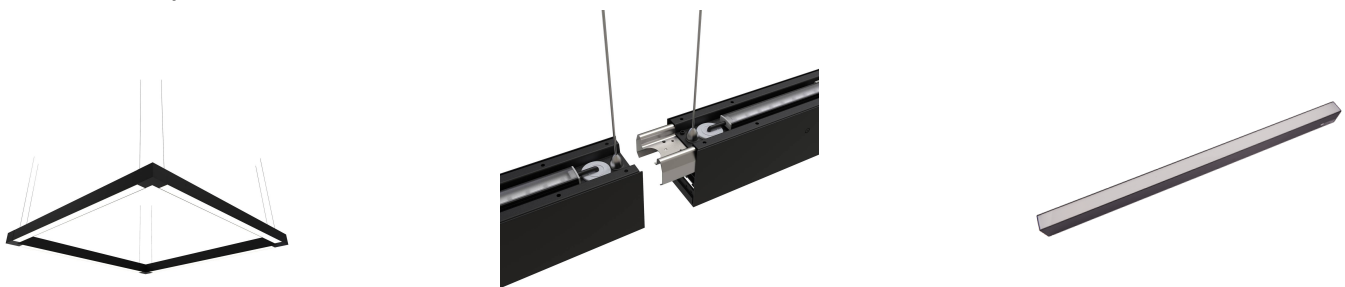




Category	Commercial Linear
Application	Commercial, Education
Specification	Architectural

Vasco

Vasco CCT Bi-directional Suspended Linear 1200mm Black
Code: AVASLED/B



PRODUCT FEATURES

- Aluminium bi-directional suspended or surface linear suitable for education, commercial and retail applications
- Supplied bidirectional light output as standard with 30% upward light and 70% downward light ratio (directional only option can be selected if required)
- Selectable CCT between 3000K, 4000K and 6500K output
- Adjustable suspension points c/w suspension kit
- Aluminium extruded construction with integral driver
- Opal diffuser provides optimal light uniformity
- Pre-wired with 1.5 metre cable
- Surface and track mounting available using AVAS/WM/1 and AVAS/P3/1/* accessories

GENERAL INFORMATION

Wattage	50W
Lumens Delivered	5300lm (4000K)
Lm/W	105lm/W (4000K)
Beam Angle	110
CRI	80
CCT	3000/4000/6500K
Input	220-240V
Operating Temp	-20°C - 45°C
SDCM	6
UGR	24
Product Weight without Packaging	2.607 kg

TECHNICAL INFORMATION

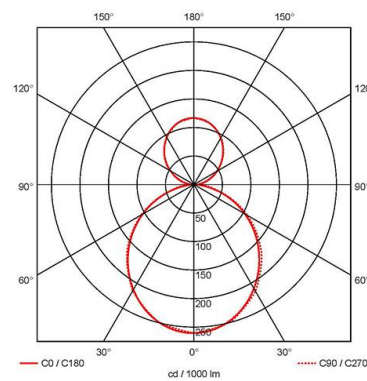
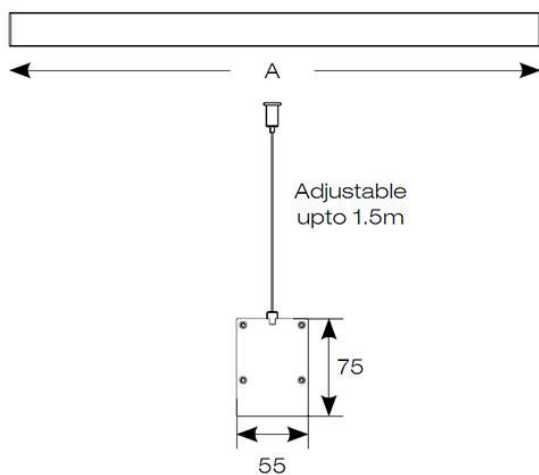
Light Source	LED
Colour / Finish	Black
IP Rating	IP20
Class Protection	1
Internal / External	Internal
Surface / Recessed / Suspended	Ceiling, Suspended, Wall
Lumen Depreciation	L80 70,000h
Warranty (Years)	5
CE Mark	Yes
Height	75 mm
Accessories	AVASLED/LC, AVASLED/90, AVASLED/90/B



Category	Commercial Linear
Application	Commercial, Education
Specification	Architectural

Vasco

Vasco CCT Bi-directional Suspended Linear 1200mm Black
Code: AVASLED/B



ACCESSORIES

AVAS/P3/1/B	Vasco Three Circuit Track Adaptor Black
AVAS/WM/1	Vasco Wall Mounting Kit
AVASLED/90/B	Vasco CCT 90° Corner Connector Black
AVASLED/B/SK	Vasco CCT Suspension Kit Black
AVASLED/LC	Vasco CCT Continuous Linking Connector

