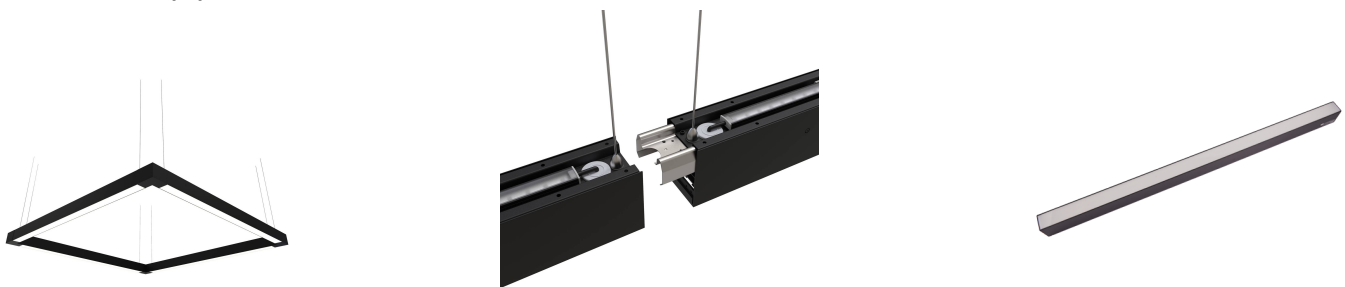




|                      |                       |
|----------------------|-----------------------|
| <b>Category</b>      | Commercial Linear     |
| <b>Application</b>   | Commercial, Education |
| <b>Specification</b> | Architectural         |

# Vasco

Vasco CCT Bi-directional Suspended Linear 1200mm Emergency Black  
**Code:** AVASLED/B/M3



## PRODUCT FEATURES

- Aluminium bi-directional suspended or surface linear suitable for education, commercial and retail applications
- Supplied bi-directional light output as standard with 30% upward light and 70% downward light ratio (directional only option can be selected if required)
- Selectable CCT between 3000K, 4000K and 6000K output
- Adjustable suspension points c/w suspension kit
- Aluminium extruded construction with integral driver
- Opal diffuser provides optimal light uniformity
- Pre-wired with 1.5 metre cable
- 1-10V dimmable as standard

### GENERAL INFORMATION

|   |                 |
|---|-----------------|
| <b>Wattage</b>                          | 50W             |
| <b>Lumens Delivered</b>                 | 5300lm (4000K)  |
| <b>Lm/W</b>                             | 105lm/W (4000K) |
| <b>Beam Angle</b>                       | 110             |
| <b>CRI</b>                              | 80              |
| <b>CCT</b>                              | 3000/4000/6500K |
| <b>Input</b>                            | 220-240V        |
| <b>Operating Temp</b>                   | 0°C - 45°C      |
| <b>SDCM</b>                             | 6               |
| <b>UGR</b>                              | 24              |
| <b>Product Weight without Packaging</b> | 2.89 kg         |

### TECHNICAL INFORMATION

|                                       |                                      |
|---------------------------------------|--------------------------------------|
| <b>Light Source</b>                   | LED                                  |
| <b>Colour / Finish</b>                | Black                                |
| <b>IP Rating</b>                      | IP20                                 |
| <b>Class Protection</b>               | 1                                    |
| <b>Internal / External</b>            | Internal                             |
| <b>Surface / Recessed / Suspended</b> | Ceiling, Suspended, Wall             |
| <b>Lumen Depreciation</b>             | L80 70,000h                          |
| <b>Warranty (Years)</b>               | 5                                    |
| <b>CE Mark</b>                        | Yes                                  |
| <b>Height</b>                         | 75 mm                                |
| <b>Accessories</b>                    | AVASLED/LC, AVASLED/90, AVASLED/90/B |
| <b>Emergency Output Duration</b>      | 3 Hr                                 |



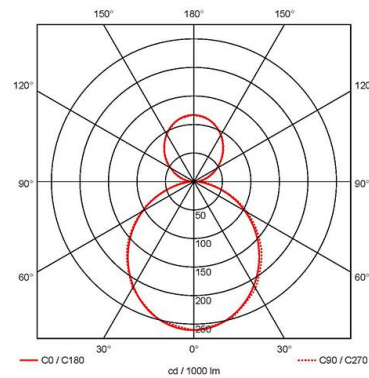
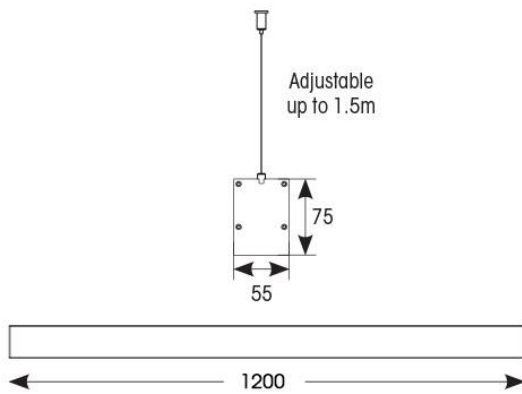


|                      |                       |
|----------------------|-----------------------|
| <b>Category</b>      | Commercial Linear     |
| <b>Application</b>   | Commercial, Education |
| <b>Specification</b> | Architectural         |

# Vasco

Vasco CCT Bi-directional Suspended Linear 1200mm Emergency Black

**Code:** AVASLED/B/M3



## ACCESSORIES

|              |   |
|--------------|---|
| AVAS/P3/1/B  | Vasco Three Circuit Track Adaptor Black |
| AVAS/WM/1    | Vasco Wall Mounting Kit                 |
| AVASLED/90/B | Vasco CCT 90° Corner Connector Black    |
| AVASLED/B/SK | Vasco CCT Suspension Kit Black          |
| AVASLED/LC   | Vasco CCT Continuous Linking Connector  |

