



Vasco



Part of the Commercial Linear product category

Model Vasco EVO CCT Multi Wattage 1500mm Self-Test Emergency White
Code AVAS5/1/W/SM3
Application Commercial, Education, Healthcare, Hospitality, Retail

GENERAL INFORMATION

Input	220-240V
Wattage	25W - 40W
Operating Temp	5°C to 45°C
Lumens Delivered	2500lm - 4500lm (4000K) / 3300lm - 6400lm (4000K w/ AVAS5/1/UGR)
lm/W	105lm/W (150lm/W w/ AVAS5/1/UGR)
CCT	3000K/4000K
UGR	23
Beam Angle	110

MATERIAL INFORMATION

Main Material	Aluminium
Diffuser Material	Polycarbonate
Product Weight without Packaging	3.52 kg
Colour / Finish	White
Height	75 mm

TECHNICAL INFORMATION

Class Protection	1
Light Source	LED
SDCM (Initial Macadam)	3
CRI	80
Internal / External	Internal
Surface / Recessed / Suspended	Surface, Suspended
Power Factor	0.9
L70 @ 25°C	L70 54,000h

PRODUCT FEATURES

- Aluminium bi-directional suspended or surface linear suitable for education, commercial and retail applications
- Bi-directional light output as standard with 30% upward light and 70% downward light ratio (downward only option can be selected if required, please note light output changes in downward only mode)
- High efficiency upto 150lm/W (only when fitted with UGR diffuser - AVAS*/1/UGR)
- Opal diffuser (provided as standard) provides optimal light uniformity
- CCT selectable between 3000K and 4000K and power selectable; offering a choice of 2 outputs, in one luminaire

ACCESSORIES

AVAS/1/1200/W	Vasco EVO Infill 1200mm White
AVAS5/1/UGR	Vasco EVO UGR19 Reflector 1500mm
AVASLED/W/SK	Vasco CCT Suspension Kit White
AVASLED/90/W	Vasco CCT 90° Corner Connector White
AVAS/WM/1	Vasco Wall Mounting Kit
AVAS/P3/2/W	Vasco Three Circuit Track Adaptor White





Vasco

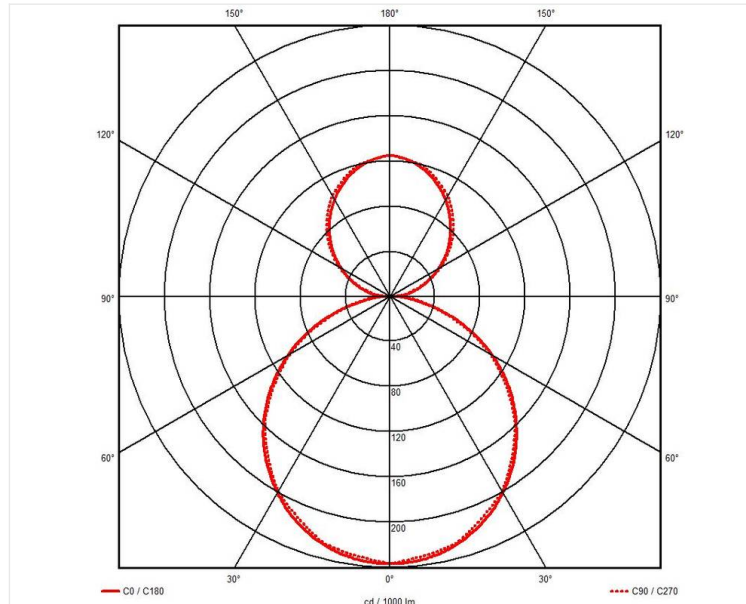
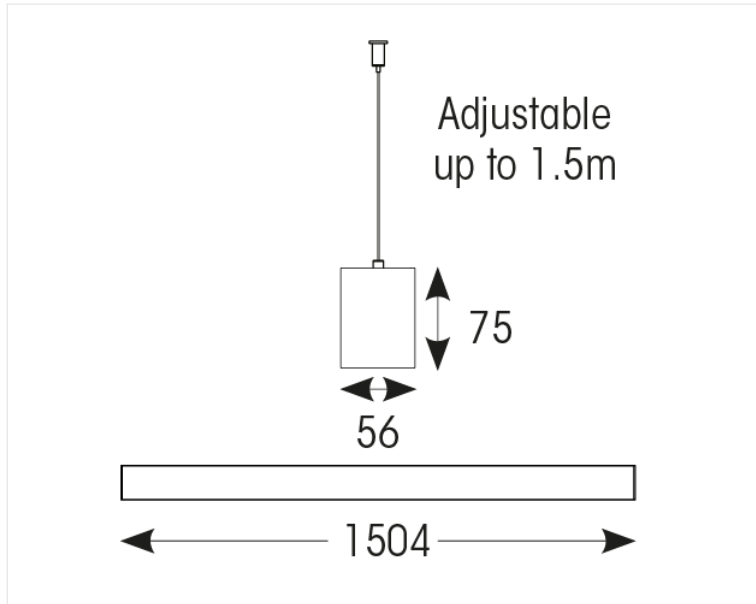


Part of the Commercial Linear product category

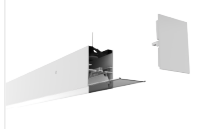
Model Vasco EVO CCT Multi Wattage 1500mm Self-Test Emergency White

Code AVAS5/1/W/SM3

Application Commercial, Education, Healthcare, Hospitality, Retail



Interchangeable Reflector
Specially designed optics allows to achieve UGR19 low glare rating. Simply unclip the end cap and replace the diffuser.
*Optical diffuser supplied as standard (UGR23)



PIR Option
Available as an end cap for standalone fittings enabling flexible

