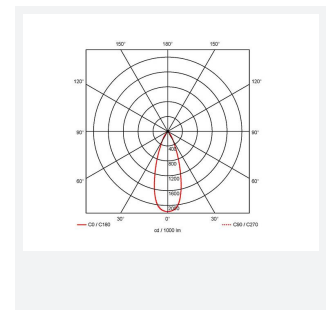
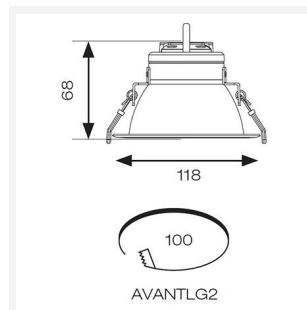
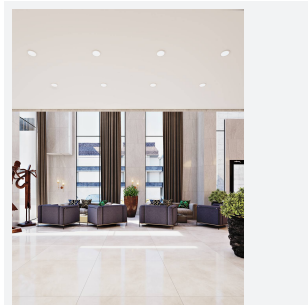
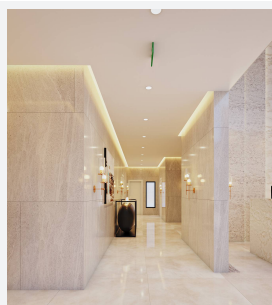




Vantage UGR<19

| | |
|----------------------|---|
| Category | Downlights |
| Application | Ancillary, Commercial, Education, Healthcare, Hospitality, Retail |
| Specification | Performance |

Code: AVANTLG2/WW/DD3/SM3



- UGR<19 performance downlight suitable for commercial and education applications
- UGR<19 (unified glare rating) compliant luminaire assisting to eliminate glare for visual comfort
- Anti-Ligature kit available for installation in secure environments such as healthcare and educational facilities
- Deep cut-off angle for glare control and comfort
- Downlight design allows installation into existing hole cut-outs from 68mm, 100mm, 150mm and 200mm
- Powered by Tridonic

| GENERAL INFORMATION | |
|---------------------|------------|
| Wattage | 14W |
| Lumens Delivered | 1400lm |
| Lm/W | 100lm/W |
| Beam Angle | 40 |
| CRI | 90 |
| CCT | 3000K |
| Input | 220-240V |
| Operating Temp | 0°C - 40°C |
| SDCM | 6 |
| UGR | 16 |
| Cut-Out Size | 100mm |

| TECHNICAL INFORMATION | |
|--------------------------------|-------------|
| Light Source | LED |
| Colour / Finish | White |
| IP Rating | IP20 |
| Class Protection | 2 |
| Internal / External | Internal |
| Surface / Recessed / Suspended | Recessed |
| Lumen Depreciation | L80 72,000h |
| Warranty (Years) | 5 |
| CE Mark | Yes |
| Diameter | 118 mm |
| Height | 68 mm |

