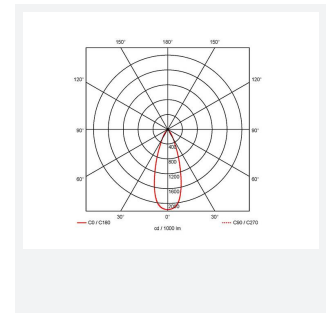
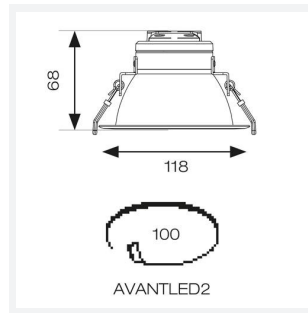




# Vantage

Vantage CCT 2 Downlight DALI-Emergency  
Code: AVANTLED2/DM3

|               |   |
|---------------|---|
| Category      | Downlights  |
| Application   | Ancillary, Commercial, Education, Healthcare, Hospitality, Retail |
| Specification | Performance   |



## PRODUCT FEATURES

- CCT selectable LED performance downlight suitable for commercial and education applications
- One product provides 3000K, 4000K and 6500K colour temperature options
- Anti-Ligature kit available for installation in secure environments such as healthcare and educational facilities
- Deep cut-off angle for glare control and comfort
- Downlight design allows installation into existing hole cut-outs from 68mm, 100mm, 150mm and 200mm
- Powered by Tridonic

| GENERAL INFORMATION              |                 |
|----------------------------------|-----------------|
| Wattage                          | 14W             |
| Lumens Delivered                 | 1400lm (4000K)  |
| Lm/W                             | 113lm/W (4000K) |
| Beam Angle                       | 75              |
| CRI                              | 80              |
| CCT                              | 3000/4000/6500K |
| Input                            | 220/240V        |
| Operating Temp                   | 0°C - 40°C      |
| SDCM                             | 6               |
| UGR                              | 26              |
| Cut-Out Size                     | 100mm           |
| Product Weight without Packaging | 0.9 kg          |

| TECHNICAL INFORMATION          |              |
|--------------------------------|--------------|
| Light Source                   | LED          |
| Colour / Finish                | White        |
| IP Rating                      | IP20         |
| Class Protection               | 2            |
| Internal / External            | Internal     |
| Surface / Recessed / Suspended | Recessed     |
| Lumen Depreciation             | L80 100,000h |
| Warranty (Years)               | 5            |
| CE Mark                        | Yes          |
| Diameter                       | 118 mm       |
| Height                         | 68 mm        |

