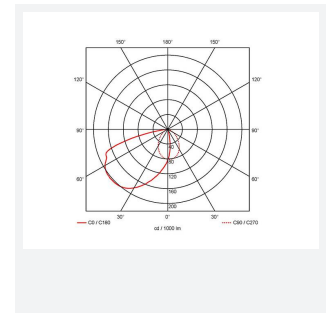
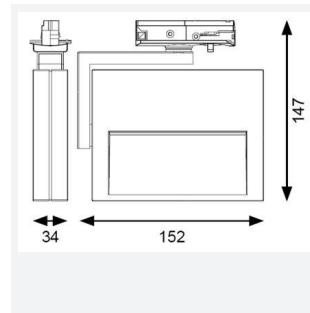
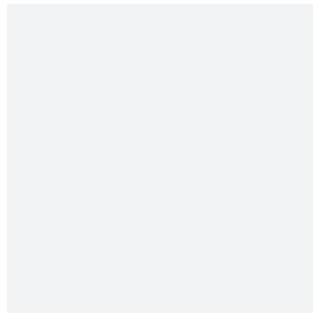
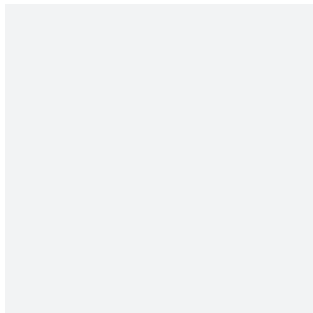


Single Circuit Unity Wallwash Mains

Single Circuit Unity Wallwash Cool White Mains

Code: AULEDSW/CW/W

Category	Track Lighting
Application	Ancillary, Hospitality, Residential, Retail
Specification	Architectural



PRODUCT FEATURES

- Ultra-modern LED wallwash trackspot with integral driver suitable for residential, hospitality and retail applications
- Unique reflector design enhances distribution for maximum efficiency and light output
- Powered by HEP
- 355° rotation with 0-180° tilt on the bracket
- Triac dimmable

GENERAL INFORMATION	
Wattage	17W
Lumens Delivered	530lm
Lm/W	31lm/W
Beam Angle	30/75
CRI	90
CCT	4000K
Input	220-240V
Operating Temp	-20°C - 25°C
SDCM	5
UGR	27
Product Weight without Packaging	0.319 kg

TECHNICAL INFORMATION	
Light Source	LED
Colour / Finish	White
IP Rating	IP20
Class Protection	1
Internal / External	Internal
Lumen Depreciation	L70 50,000h
Warranty (Years)	5
CE Mark	Yes
Height	131 mm
Accessories	AMON/GU10/W, AMON/GU10/B

