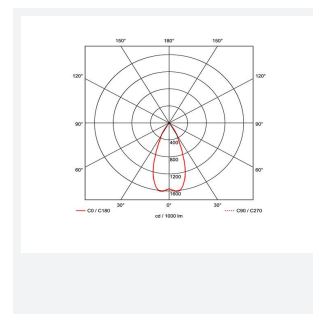
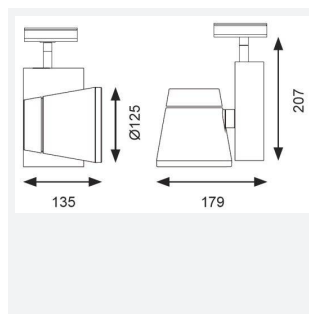




# Single Circuit Unity 3 Mains

Single Circuit Unity 3 Cool White Mains Black  
Code: AULEDS3/B

Category	Track Lighting
Application	Ancillary, Hospitality, Residential, Retail
Specification	Architectural



## PRODUCT FEATURES

- Compact LED trackspot with integral driver suitable for residential, hospitality and retail applications
- Mirror finish anodized reflector
- Non-dimmable
- 355° rotation with 0-180° tilt on the bracket
- Anti-glare design to create visual comfort
- Powered by Tridonic

### GENERAL INFORMATION

Wattage	37W
Lumens Delivered	3300lm
Lm/W	88lm/W
Beam Angle	40
CRI	90
CCT	4000K
Input	220/240V
Operating Temp	-20°C - 25°C
SDCM	3
UGR	16
Product Weight without Packaging	1.067 kg

### TECHNICAL INFORMATION

Light Source	LED
Colour / Finish	Black
IP Rating	IP20
Class Protection	1
Internal / External	Internal
Lumen Depreciation	L80 60,000h
Warranty (Years)	5
CE Mark	Yes
Diameter	125 mm
Height	183 mm
Accessories	AMON/GU10/W, AMON/GU10/B, AURA/110/20, AURA/110/60

