



@ansell_lighting



ansellighting



Ansell Lighting

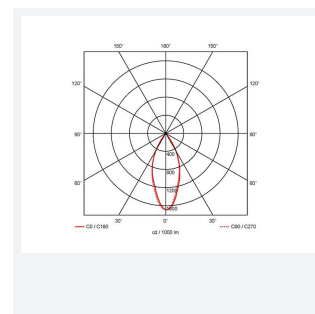
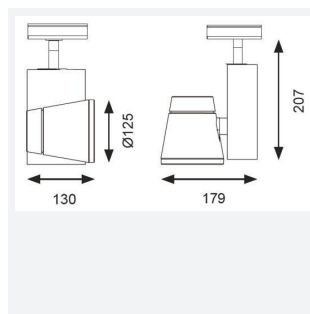
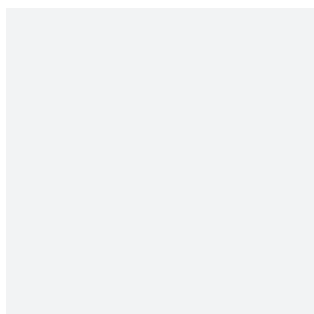
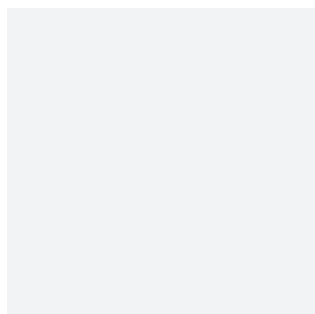


ansell_lighting

Single Circuit Unity 2 Mains

Single Circuit Unity 2 Warm White Mains Black
Code: AULEDS2/WW/B

| | |
|---------------|---|
| Category | Track Lighting |
| Application | Ancillary, Hospitality, Residential, Retail |
| Specification | Architectural |



PRODUCT FEATURES

- Compact LED trackspot with integral driver suitable for residential, hospitality and retail applications
- Mirror finish anodized reflector
- Non-dimmable
- 355° rotation with 0-180° tilt on the bracket
- Anti-glare design to create visual comfort
- Powered by Tridonic

GENERAL INFORMATION

| | |
|----------------------------------|--------------|
| Wattage | 29W |
| Lumens Delivered | 2500lm |
| Lm/W | 86lm/W |
| Beam Angle | 40 |
| CRI | 90 |
| CCT | 3000K |
| Input | 220/240V |
| Operating Temp | -20°C - 25°C |
| SDCM | 3 |
| UGR | 19 |
| Product Weight without Packaging | 0.775 kg |

TECHNICAL INFORMATION

| | |
|---------------------|--|
| Light Source | LED |
| Colour / Finish | Black |
| IP Rating | IP20 |
| Class Protection | 1 |
| Internal / External | Internal |
| Lumen Depreciation | L80 60,000h |
| Warranty (Years) | 5 |
| CE Mark | Yes |
| Diameter | 95 mm |
| Height | 179 mm |
| Accessories | AMON/GU10/W, AMON/GU10/B, AURA/80/20, AURA/80/70 |

