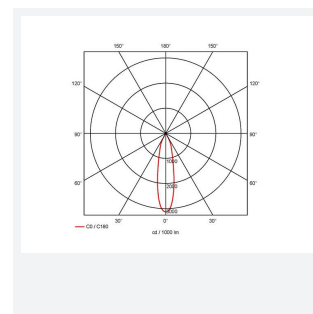
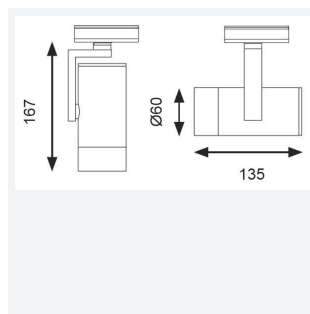




Single Circuit Unity 1 Mains

Single Circuit Unity 1 Warm White Mains Black
Code: AULEDS1/WW/B

Category	Track Lighting
Application	Ancillary, Hospitality, Residential, Retail
Specification	Architectural



PRODUCT FEATURES

- Compact LED trackspot with integral driver suitable for residential, hospitality and retail applications
- Mirror finish anodized reflector
- Non-dimmable
- 355° rotation with 0-180° tilt on the bracket
- Anti-glare design to create visual comfort
- Powered by HEP

GENERAL INFORMATION

Wattage	15W
Lumens Delivered	1100lm
Lm/W	74lm/W
Beam Angle	25
CRI	90
CCT	3000K
Input	220/240V
Operating Temp	-20°C - 25°C
SDCM	5
UGR	17
Product Weight without Packaging	0.514 kg

TECHNICAL INFORMATION

Light Source	LED
Colour / Finish	Black
IP Rating	IP20
Class Protection	1
Internal / External	Internal
Lumen Depreciation	L80 60,000h
Warranty (Years)	5
CE Mark	Yes
Diameter	60 mm
Height	167 mm
Accessories	AMON/GU10/W, AMON/GU10/B, AUTRA/50/40

