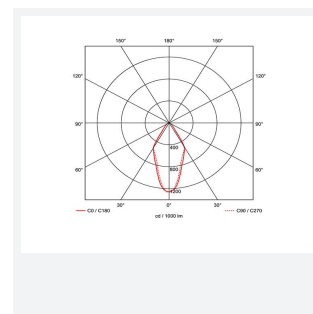
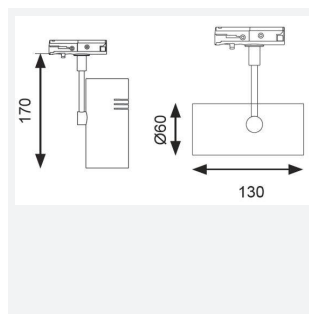




Single Circuit Unity 0 Mains

Single Circuit Unity 0 Cool White Mains White
Code: AULEDS0/CW/W

Category	Track Lighting
Application	Ancillary, Hospitality, Residential, Retail
Specification	Architectural



PRODUCT FEATURES

- Compact LED trackspot with integral driver suitable for residential, hospitality and retail applications
- Mirror finish anodized reflector
- Non-dimmable
- 355° rotation with 0-180° tilt on the bracket
- Anti-glare design for visual comfort
- Powered by HEP

GENERAL INFORMATION	
Wattage	10W
Lumens Delivered	690lm
Lm/W	69lm/W
Beam Angle	45
CRI	90
CCT	4000K
Input	220/240V
Operating Temp	-20°C - 25°C
SDCM	5
UGR	21
Product Weight without Packaging	0.309 kg

TECHNICAL INFORMATION	
Light Source	LED
Colour / Finish	White
IP Rating	IP20
Class Protection	1
Internal / External	Internal
Lumen Depreciation	L70 50,000h
Warranty (Years)	5
CE Mark	Yes
Diameter	60 mm
Height	170 mm
Accessories	AMON/GU10/W, AMON/GU10/B, AURA/50/40

