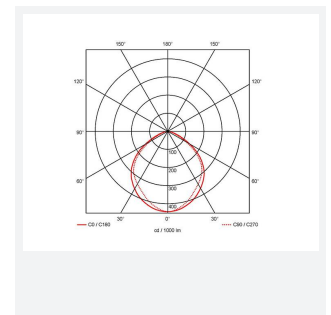
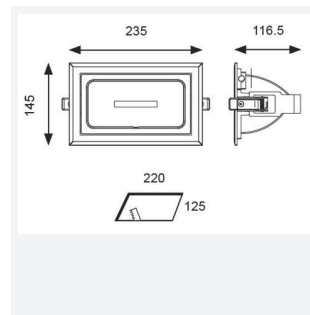


Unity Rectangular

Unity Rectangular Wallwash CCT DALI
Code: AULEDRECWW/DD3

Category	Downlights
Application	Ancillary, Commercial, Education, Hospitality, Residential, Retail
Specification	Architectural



PRODUCT FEATURES

- Adjustable rectangular recessed architectural wallwash with 65° tilt angle suitable for commercial, hospitality and retail applications
- Energy saving retrofit replacement for existing HQI fittings
- Dimmable options
- Die-cast aluminium body and heatsink for efficient thermal management
- Remote driver with plug and play connection
- Powered by Tridonic

GENERAL INFORMATION	
Wattage	30W
Lumens Delivered	4100lm (4000K)
Lm/W	141lm/W (4000K)
Beam Angle	100/115
CRI	90
CCT	3000/4000/6000K
Input	220/240V
Operating Temp	-20°C - 50°C
SDCM	6
UGR	27
Cut-Out Size	220x130mm
Product Weight without Packaging	1.8 kg

TECHNICAL INFORMATION	
Light Source	LED
Colour / Finish	White
IP Rating	IP20
Class Protection	2
Internal / External	Internal
Surface / Recessed / Suspended	Recessed
Lumen Depreciation	L70 50,000h
Warranty (Years)	5
CE Mark	Yes
Height	117 mm

