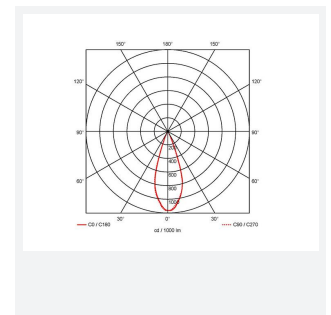
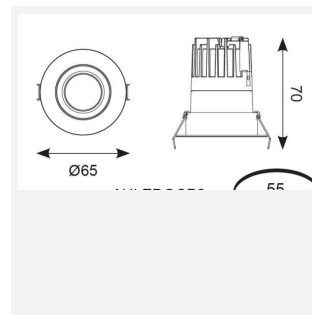




Unity GC Pro Fixed

Unity GC Pro 2 Fixed Downlight Warm White
Code: AULEDGCP2/WW/DD1

Category	Downlights
Application	Ancillary, Commercial, Education, Hospitality, Residential, Retail
Specification	Architectural



PRODUCT FEATURES

- Compact high performance architectural adjustable downlight suitable for residential applications
- Die-cast aluminium construction, powder coated
- Remote driver with plug and play connection
- Deep cut-off angle for glare control and comfort
- Mirror finished anodized reflector for optimum light control
- Powered by HEP

GENERAL INFORMATION

Wattage	8W
Lumens Delivered	250lm
Lm/W	32lm/W
Beam Angle	30
CRI	90
CCT	3000K
Input	220/240V
Operating Temp	-20°C - 25°C
SDCM	3
UGR	10
Cut-Out Size	55mm
Product Weight without Packaging	0.135 kg

TECHNICAL INFORMATION

Light Source	LED
Colour / Finish	Matt White
IP Rating	IP44
Class Protection	2
Internal / External	Internal
Surface / Recessed / Suspended	Recessed
Lumen Depreciation	L80 82,000h
Warranty (Years)	5
CE Mark	Yes
Diameter	65 mm
Height	70 mm

