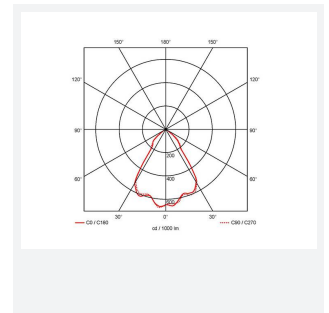
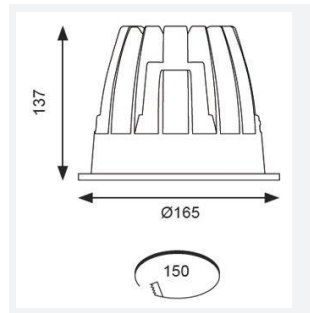
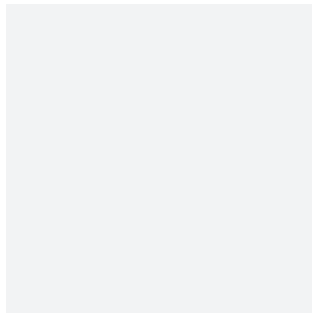




Unity 150 DHP

50W Unity 150 4000K LED Downlight
Code: AULED150DHP

Category	Downlights
Application	Ancillary, Commercial, Education, Hospitality, Residential, Retail
Specification	Architectural



- IP44 compact high performance architectural downlight suitable for commercial, hospitality and retail applications
- Mirror finished anodized reflector
- Remote driver with plug and play connection
- Powered by Tridonic
- Die-cast aluminium construction, powder coated and 30° cut-off angle
- Anti-glare design to create visual comfort
- Dimmable and emergency options

GENERAL INFORMATION

Wattage	41
Lumens Delivered	3900lm
Lm/W	95lm/W
Beam Angle	70
CRI	90
CCT	4000K
Input	220-240V
Operating Temp	-20°C - 25°C
SDCM	3
UGR	22
Cut-Out Size	150
Energy efficiency class	E
Product Weight without Packaging	1.05 kg

TECHNICAL INFORMATION

Light Source	LED
Colour / Finish	White
IP Rating	IP44
Class Protection	2
Internal / External	Internal
Surface / Recessed / Suspended	Recessed
Warranty (Years)	5
CE Mark	Yes
Diameter	165 mm
Height	137 mm

