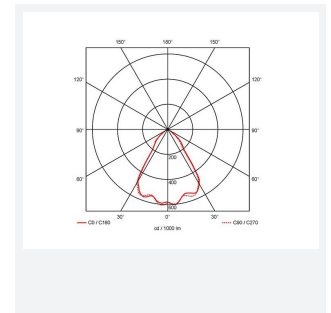
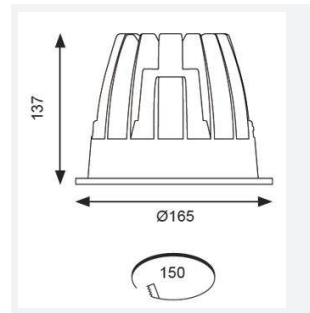




# Unity 150

Unity 150 Downlight Cool White DSI  
Code: AULED150D/DD2

|               |  |
|---------------|--|
| Category      | Downlights   |
| Application   | Ancillary, Commercial, Education, Hospitality, Residential, Retail |
| Specification | Architectural  |



## PRODUCT FEATURES

- IP44 compact high performance architectural downlight suitable for commercial, hospitality and retail applications
- Mirror finished anodized reflector
- Remote driver with plug and play connection
- Powered by Tridonic
- Die-cast aluminium construction, powder coated and 30° cut-off angle
- Anti-glare design to create visual comfort
- Dimmable and emergency options

| GENERAL INFORMATION              |              |
|----------------------------------|--------------|
| Wattage                          | 37W          |
| Lumens Delivered                 | 3200lm       |
| Lm/W                             | 88lm/W       |
| Beam Angle                       | 70           |
| CRI                              | 90           |
| CCT                              | 4000K        |
| Input                            | 220/240V     |
| Operating Temp                   | -20°C - 25°C |
| SDCM                             | 3            |
| UGR                              | 22           |
| Cut-Out Size                     | 150mm        |
| Product Weight without Packaging | 1.2 kg       |

| TECHNICAL INFORMATION          |             |
|--------------------------------|-------------|
| Light Source                   | LED         |
| Colour / Finish                | White       |
| IP Rating                      | IP44        |
| Class Protection               | 2           |
| Internal / External            | Internal    |
| Surface / Recessed / Suspended | Recessed    |
| Lumen Depreciation             | L70 50,000h |
| Warranty (Years)               | 5           |
| CE Mark                        | Yes         |
| Diameter                       | 165 mm      |
| Height                         | 137 mm      |

