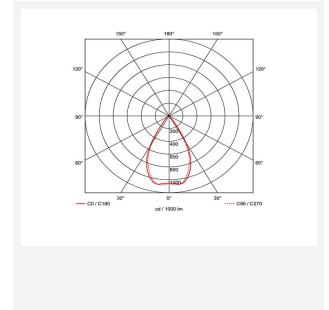
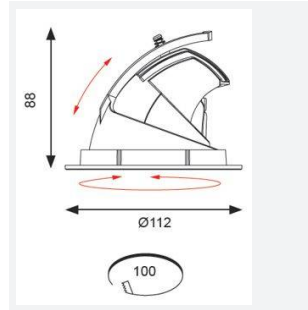
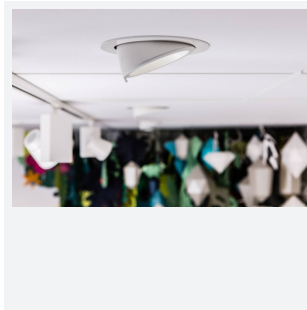
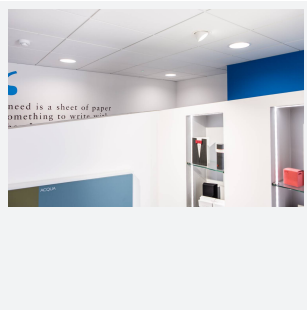




# Unity 100

Unity 100 Wallwash Cool White Switch Dim  
Code: AULED100WW/DD1

Category	Downlights
Application	Ancillary, Commercial, Education, Hospitality, Residential, Retail
Specification	Architectural



## PRODUCT FEATURES

- Recessed adjustable architectural wallwash with 355° rotation suitable for commercial, hospitality and retail applications
- 30° cut-off angle in the horizontal position
- Remote driver with plug and play connection
- Powered by Tridonic
- Adjustable tilt angle from -15° to 45°
- Die-cast aluminium body and heatsink for good thermal management
- Dimmable options

GENERAL INFORMATION	
Wattage	15W
Lumens Delivered	1300lm
Lm/W	84lm/W
Beam Angle	55
CRI	90
CCT	4000K
Input	220/240V
Operating Temp	-20°C - 25°C
SDCM	3
UGR	17
Cut-Out Size	100mm
Product Weight without Packaging	1.007 kg

TECHNICAL INFORMATION	
Light Source	LED
Colour / Finish	White
IP Rating	IP20
Class Protection	2
Internal / External	Internal
Surface / Recessed / Suspended	Recessed
Lumen Depreciation	L70 60,000h
Warranty (Years)	5
CE Mark	Yes
Diameter	112 mm
Height	88 mm

