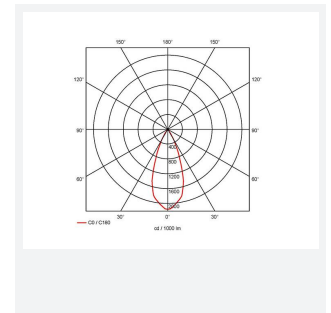
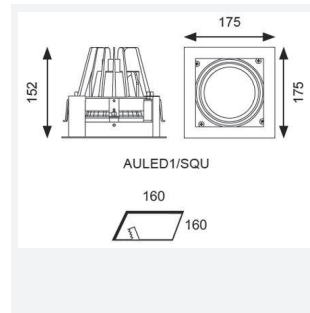


Unity S and R

Unity Square 1 Downlight OCTO Smart Control
Code: AULED1/SQU/OCTO

Category	Downlights
Application	Ancillary, Commercial, Education, Hospitality, Residential, Retail
Specification	Architectural



PRODUCT FEATURES

- Square and Rectangular recessed adjustable architectural downlight suitable for commercial, hospitality and retail applications
- Black trim provides excellent glare control
- Remote driver with plug and play connection
- Powered by Tridonic
- Fully adjustable tilt angle 30° on two axis
- Steel housing with die-cast aluminium body for good thermal management
- Dimmable options

GENERAL INFORMATION	
Wattage	36W
Lumens Delivered	3100lm
Lm/W	88lm/W
Beam Angle	40
CRI	90
CCT	4000K
Input	220-240V
Operating Temp	-20°C - 25°C
SDCM	3
UGR	10
Cut-Out Size	160x160mm
Product Weight without Packaging	1.46 kg

TECHNICAL INFORMATION	
Light Source	LED
Colour / Finish	White
IP Rating	IP20
Class Protection	2
Internal / External	Internal
Surface / Recessed / Suspended	Recessed
Lumen Depreciation	L80 60,000h
Warranty (Years)	5
CE Mark	Yes
Height	152 mm

