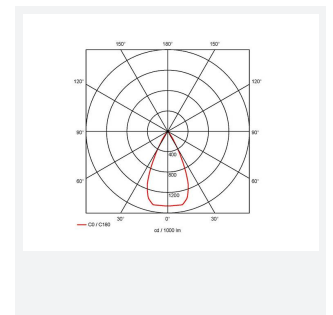
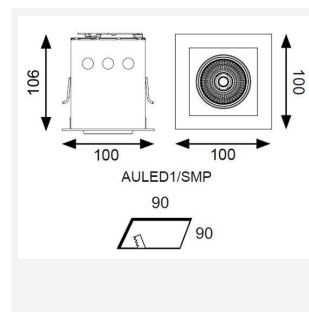
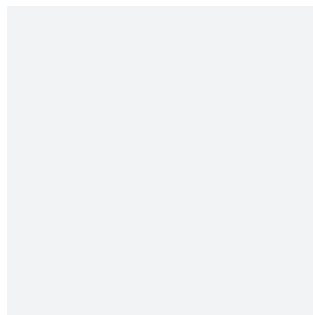
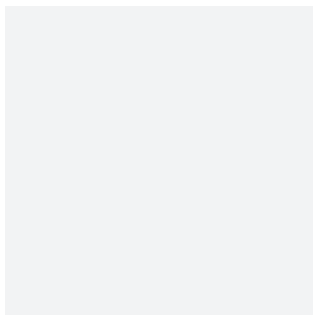




# Unity S and R Retractable

Unity Multi Pivot Single 4000K Downlight  
Code: AULED1/SMP

Category	Downlights
Application	Ancillary, Commercial, Education, Hospitality, Residential, Retail
Specification	Architectural



- Square and Rectangular recessed adjustable architectural downlight suitable for commercial, hospitality and retail applications
- Retractable head design allows for a range of installation applications
- Steel housing with die-cast aluminium body for excellent thermal management
- Dimmable options
- Full 360° head rotation and 90° tilting capability
- Black trim provides excellent glare control
- Remote driver with plug and play connection
- Powered by Tridonic

GENERAL INFORMATION	
Wattage	15
Lumens Delivered	1000lm
Lm/W	73lm/W
Beam Angle	50
CRI	90
CCT	4000K
Input	220-240V
Operating Temp	-20°C - 25°C
SDCM	3
UGR	14
Cut-Out Size	90x90
Energy efficiency class	E
Product Weight without Packaging	0.609 kg

TECHNICAL INFORMATION	
Light Source	LED
Colour / Finish	White
IP Rating	IP20
Class Protection	2
Internal / External	Internal
Surface / Recessed / Suspended	Recessed
Warranty (Years)	5
CE Mark	Yes
Height	106 mm

