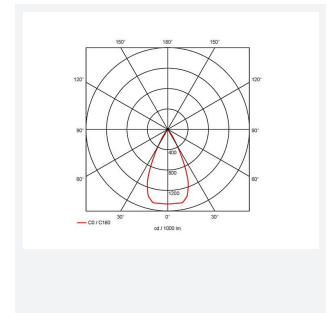
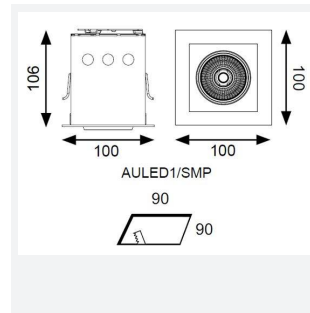




Unity S and R Retractable

Unity Square Retractable Downlight Switch Dim
Code: AULED1/SMP/DD1

| | |
|---------------|--|
| Category | Downlights |
| Application | Ancillary, Commercial, Education, Hospitality, Residential, Retail |
| Specification | Architectural |



PRODUCT FEATURES

- Square and Rectangular recessed adjustable architectural downlight suitable for commercial, hospitality and retail applications
- Retractable head design allows for a range of installation applications
- Steel housing with die-cast aluminium body for excellent thermal management
- Dimmable options
- Full 360° head rotation and 90° tilting capability
- Black trim provides excellent glare control
- Remote driver with plug and play connection
- Powered by Tridonic

| GENERAL INFORMATION | |
|----------------------------------|--------------|
| Wattage | 15W |
| Lumens Delivered | 1000lm |
| Lm/W | 73lm/W |
| Beam Angle | 50 |
| CRI | 90 |
| CCT | 4000K |
| Input | 220/240V |
| Operating Temp | -20°C - 25°C |
| SDCM | 3 |
| UGR | 14 |
| Cut-Out Size | 90x90mm |
| Product Weight without Packaging | 0.01 kg |

| TECHNICAL INFORMATION | |
|--------------------------------|-------------|
| Light Source | LED |
| Colour / Finish | White |
| IP Rating | IP20 |
| Class Protection | 2 |
| Internal / External | Internal |
| Surface / Recessed / Suspended | Recessed |
| Lumen Depreciation | L80 60,000h |
| Warranty (Years) | 5 |
| CE Mark | Yes |
| Height | 106 mm |

