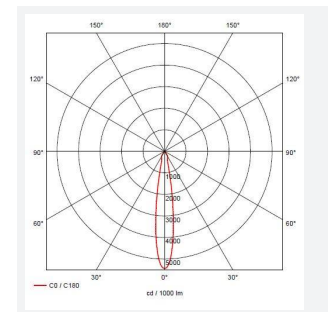
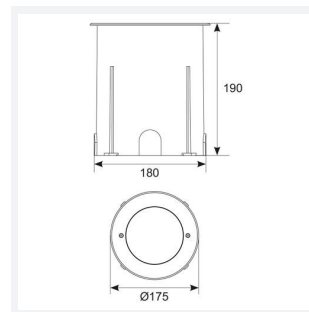


Turlock

Turlock 175 LED Walkover IP67
Code: ATURWOLED/175

Category	Feature Lighting
Application	Commercial, Education, Healthcare, Hospitality, Outdoor, Residential, Retail
Specification	Architectural



- High performance inground uplight suitable for commercial, hospitality and residential applications
- Die-cast aluminium construction with 316L stainless steel top frame
- Static load test to 2000kg; suitable for vehicular and pedestrian traffic
- Powered by HEP
- Supplied c/w installation housing for additional protection and ease of installation
- Pre-wired with 1 metre of rubber insulated cable
- Triac dimmable as standard

GENERAL INFORMATION	
Wattage	8
Lumens Delivered	870lm
Lm/W	110lm/W
Beam Angle	20
CRI	90
CCT	4000K
Input	220-240V
Operating Temp	-20°C - 25°C
SDCM	3
Cut-Out Size	155mm
Product Weight without Packaging	2.126 kg

TECHNICAL INFORMATION	
Light Source	LED
Colour / Finish	Stainless Steel
IP Rating	IP67
Class Protection	1
Internal / External	External
Surface / Recessed / Suspended	Recessed
Warranty (Years)	5
CE Mark	Yes
Diameter	175 mm

