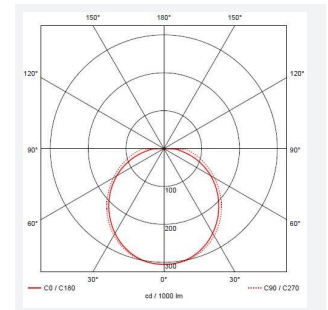
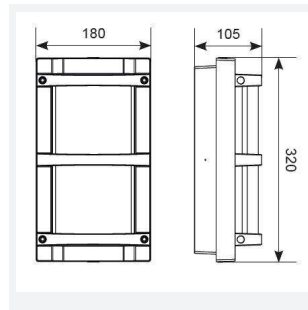
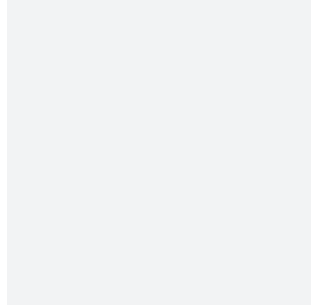
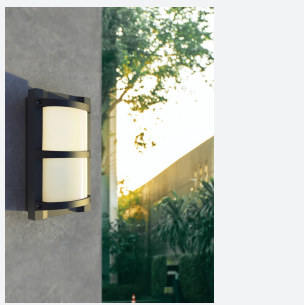




Tridon

Tridon CCT Microwave Sensor Grey
Code: ATRILED/G/MWS

Category	Wall Lights
Application	Ancillary, Hospitality, Industrial, Outdoor, Residential, Retail
Specification	Performance



- IP66 rated die-cast aluminium wall light with opal polycarbonate diffuser suitable for commercial, hospitality and industrial applications
- Rear fixing points allowing the option for BESA box mounting
- Tamper-proof stainless steel allen key screws
- Non-dimmable
- Internal CCT selector switch allows the installer to choose the CCT between 3000K and 4000K at the point of installation
- Horizontal side pilot holes accepting 20mm surface conduit entries
- Microwave sensor and Photocell options available
- Powered by Tridonic

GENERAL INFORMATION	
Wattage	8W
Lumens Delivered	700lm (4000K)
Lm/W	88lm/W (4000K)
Beam Angle	120
CRI	80
CCT	3000/4000K
Input	220-240V
Operating Temp	-20°C - 40°C
SDCM	5
Product Weight without Packaging	1.783 kg

TECHNICAL INFORMATION	
Light Source	LED
Colour / Finish	Graphite
IP Rating	IP66
Class Protection	1
Internal / External	External
Surface / Recessed / Suspended	Wall
Lumen Depreciation	L70 60,000h
Warranty (Years)	5
CE Mark	Yes
Height	320 mm

