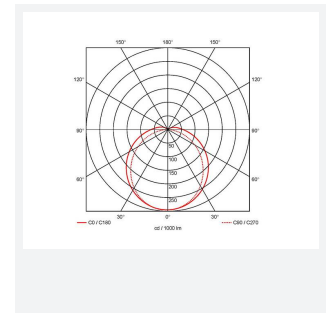
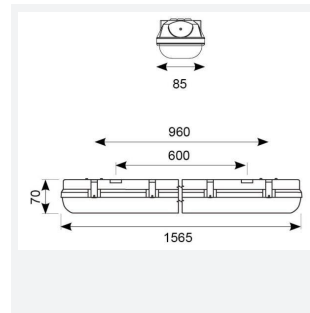


# Tornado PRO

Tornado PRO 1500mm DSI Self-Test Emergency  
Code: ATORPLED5/DD2/M3

|               |   |
|---------------|---|
| Category      | Battens and Weatherproofs   |
| Application   | Ancillary, Commercial, Education, Healthcare, Hospitality, Industrial, Retail |
| Specification | Performance   |



## PRODUCT FEATURES

- Ultra slim IP65 LED robust non-corrosive batten ideal for industrial applications and ancillary areas
- Unique base design caters for multiple installation methods
- Quick release LED array / gear tray assembly provides the installer the means to faster installation / maintenance
- Self-test emergency option with Li-ion battery technology, reducing charge time and running costs
- High efficiency up to 161 Lm/W
- Installer friendly embedded features aid accurate and fast installation for any application
- Fast latching / permanently located stainless steel side clips ensure a quick and secure connection
- High output 5ft options available

| GENERAL INFORMATION              |            |
|----------------------------------|------------|
| Wattage                          | 29W        |
| Lumens Delivered                 | 3200lm     |
| Lm/W                             | 111lm/W    |
| Beam Angle                       | 100/120    |
| CRI                              | 80         |
| CCT                              | 4000K      |
| Input                            | 220-240V   |
| Operating Temp                   | 0°C - 40°C |
| SDCM                             | 6          |
| Product Weight without Packaging | 0.01 kg    |

| TECHNICAL INFORMATION          |  |
|--------------------------------|--|
| Light Source                   | LED  |
| Colour / Finish                | Grey                                       |
| IP Rating                      | IP65                                       |
| Class Protection               | 1  |
| Internal / External            | Internal / External                        |
| Surface / Recessed / Suspended | Ceiling, Suspended                         |
| Lumen Depreciation             | L80 54,000h                                |
| Warranty (Years)               | 7  |
| CE Mark                        | Yes  |
| Height                         | 70 mm                                      |
| Accessories                    | ATORPLED/SSKIT/SINGLE, ATORPLED/SSKIT/TWIN |

