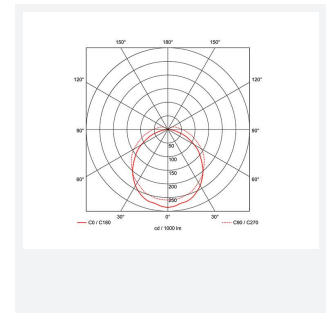
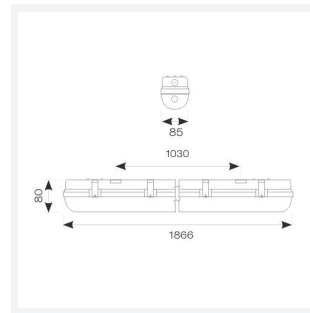




Tornado EVO

Tornado EVO 1800mm Microwave Sensor
Code: ATOREVO6/MWS

| | |
|----------------------|---|
| Category | Battens and Weatherproofs |
| Application | Ancillary, Commercial, Education, Healthcare, Hospitality, Industrial, Retail |
| Specification | Performance |



PRODUCT FEATURES

- IP65 non-corrosive batten suitable for industrial applications and ancillary areas
- Unique luminaire fixing clip design allows option of mounting onto BESA box
- Lockable heavy-duty stainless steel clips supplied as standard for added safety and security
- LED Performance allows point-to-point replacement of existing fluorescent luminaires
- High efficiency up to 140 Lm/W

| GENERAL INFORMATION | |
|----------------------------------|--------------|
| Wattage | 35W |
| Lumens Delivered | 5000lm |
| Lm/W | 140lm/W |
| Beam Angle | 105/125 |
| CRI | 80 |
| CCT | 4000K |
| Input | 220/240V |
| Operating Temp | -10°C - 40°C |
| SDCM | 6 |
| Product Weight without Packaging | 1.869 kg |

| TECHNICAL INFORMATION | |
|--------------------------------|---------------------|
| Light Source | LED |
| Colour / Finish | Grey |
| IP Rating | IP65 |
| Class Protection | 1 |
| Internal / External | Internal / External |
| Surface / Recessed / Suspended | Ceiling, Suspended |
| Lumen Depreciation | L70 50,000h |
| Warranty (Years) | 5 |
| CE Mark | Yes |
| Height | 80 mm |

