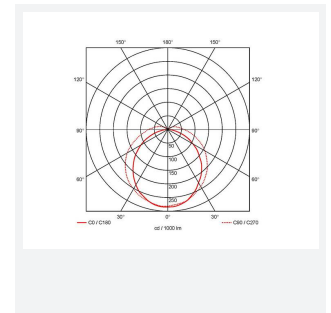
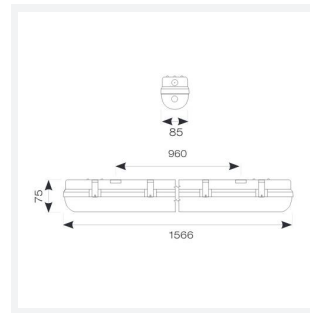


# Tornado EVO

Tornado EVO 1500mm Corridor Function  
Code: ATOREVO5/CF

|                      |                                                                               |
|----------------------|-------------------------------------------------------------------------------|
| <b>Category</b>      | Battens and Weatherproofs                                                     |
| <b>Application</b>   | Ancillary, Commercial, Education, Healthcare, Hospitality, Industrial, Retail |
| <b>Specification</b> | Performance                                                                   |



## PRODUCT FEATURES

- IP65 non-corrosive batten suitable for industrial applications and ancillary areas
- Unique luminaire fixing clip design allows option of mounting onto BESA box
- Lockable heavy-duty stainless steel clips supplied as standard for added safety and security
- LED Performance allows point-to-point replacement of existing fluorescent luminaires
- High efficiency up to 140 Lm/W

| GENERAL INFORMATION              |              |
|----------------------------------|--------------|
| Wattage                          | 30W          |
| Lumens Delivered                 | 4200lm       |
| Lm/W                             | 140lm/W      |
| Beam Angle                       | 105/125      |
| CRI                              | 80           |
| CCT                              | 4000K        |
| Input                            | 220/240V     |
| Operating Temp                   | -10°C - 40°C |
| SDCM                             | 6            |
| Product Weight without Packaging | 2.77 kg      |

| TECHNICAL INFORMATION          |                     |
|--------------------------------|---------------------|
| Light Source                   | LED                 |
| Colour / Finish                | Grey                |
| IP Rating                      | IP65                |
| Class Protection               | 1                   |
| Internal / External            | Internal / External |
| Surface / Recessed / Suspended | Ceiling, Suspended  |
| Lumen Depreciation             | L80 54,000h         |
| Warranty (Years)               | 5                   |
| CE Mark                        | Yes                 |
| Height                         | 75 mm               |

