



Tornado Evo



Part of the Battens and Weatherproofs product category

Model	Tornado EVO CCT Multi Wattage 1200mm
Code	ATORE4/1
Application	Ancillary, Commercial, Education, Healthcare, Hospitality, Industrial, Retail

GENERAL INFORMATION

Input	220-240V
Wattage	20W/40W
Operating Temp	-20°C - 40°C
Lumens Delivered	3000lm - 6100lm (4000K)
lm/W	150lm/W (4000K)
CCT	4000/5000/6500K
Beam Angle	120

MATERIAL INFORMATION

Main Material	Polycarbonate
Diffuser Material	Polycarbonate
Product Weight without Packaging	1.46 kg
Colour / Finish	Grey
Height	81 mm

TECHNICAL INFORMATION

Class Protection	1
Light Source	LED
SDCM (Initial Macadam)	3
CRI	80
Internal / External	Internal / External
Surface / Recessed / Suspended	Ceiling, Suspended
Power Factor	0.9
L70 @ 25°C	L70 100,000h

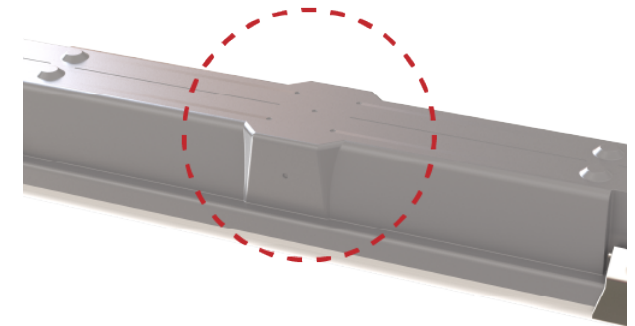
PRODUCT FEATURES

- IP66 non-corrosive batten suitable for industrial applications and ancillary areas
- High efficiency up to 160 Lm/W
- CCT selectable between 4000K, 5000K and 6500K and power selectable; offering a choice of 2 outputs, in one luminaire
- Slim sloped diffuser design creates sleek appearance and offers greater light distribution
- LED performance allows point-to-point replacement of existing fluorescent luminaires



Increased Flexibility

Three side conduit entries allow for **enhanced flexibility** and **faster installations**





Tornado Evo



Part of the Battens and Weatherproofs product category

Model Tornado EVO CCT Multi Wattage 1200mm
Code ATORE4/1
Application Ancillary, Commercial, Education, Healthcare, Hospitality, Industrial, Retail

