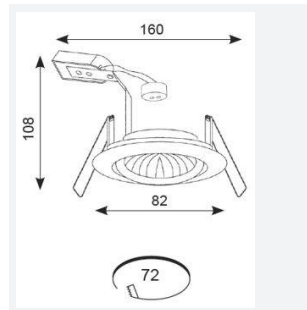
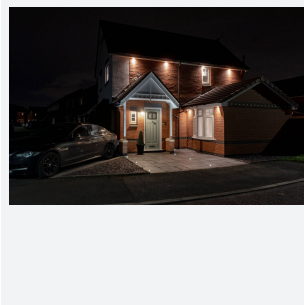
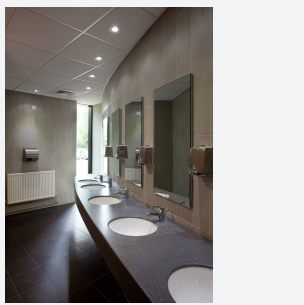




# Twistlock GU10 IP44

Twistlock GU10 IP44 Die-Cast Downlight Chrome  
Code: ATLVD/IP44/CH

|               |                                  |
|---------------|----------------------------------|
| Category      | Downlights                       |
| Application   | Hospitality, Residential, Retail |
| Specification | Architectural                    |



## PRODUCT FEATURES

- IP44 downlight suitable for bathrooms (product supplied less lamp)
- Permanent earth on stirrup bracket for GU10 mains earthing
- Option to add Bluetooth and WiFi enabled smart WiZ GU10 lamp
- Manufactured from high grade die-cast aluminium
- Generous size of terminal housing and 2x1.5mm, + CPC loop-in, loop-out push fit terminals provide an easy and efficient installation

| GENERAL INFORMATION              |            |
|----------------------------------|------------|
| Wattage                          | 35W        |
| Input                            | 220-240V   |
| Operating Temp                   | 0°C - 25°C |
| Cut-Out Size                     | 72         |
| Product Weight without Packaging | 0.124 kg   |

| TECHNICAL INFORMATION          |          |
|--------------------------------|----------|
| Light Source                   | GU10     |
| Colour / Finish                | Chrome   |
| IP Rating                      | IP44     |
| Class Protection               | 1        |
| Internal / External            | Internal |
| Surface / Recessed / Suspended | Recessed |
| Warranty (Years)               | 5        |
| CE Mark                        | Yes      |
| Diameter                       | 82 mm    |
| Height                         | 98 mm    |
| Accessories                    | ATL/BA   |

