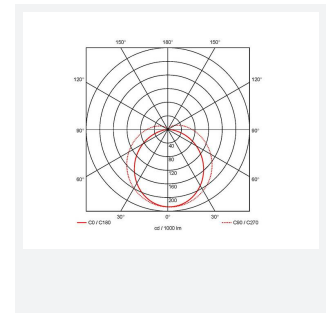
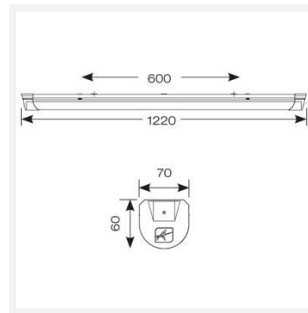
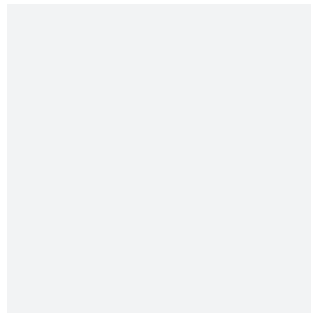




# Topline EVO

Topline EVO CCT Multi Wattage 1200mm OCTO  
Code: ATLEVO4/OCTO

Category	Battens and Weatherproofs
Application	Ancillary, Commercial, Education, Healthcare, Industrial, Retail
Specification	Performance



## PRODUCT FEATURES

- High performance, multi-wattage LED CCT batten suitable for industrial and multi-purpose applications
- High efficiency up to 140 lm/W
- Excellent light uniformity through high transmittance polycarbonate diffuser
- Innovative spring clip gear tray release aids fast and easy installation
- Selectable CCT between 3000K, 4000K and 5700K
- Power selectable; offering high and low output option in each length
- Instant light output with unlimited switching
- Self-test, lithium emergency option

GENERAL INFORMATION	
Wattage	18W - 31W
Lumens Delivered	2500lm - 4300lm (4000K)
Lm/W	140lm/W
Beam Angle	105/140
CRI	80
CCT	3000/4000/5700K
Input	220/240V
Operating Temp	-10°C - 40°C
SDCM	6
UGR	24
Product Weight without Packaging	1.42 kg

TECHNICAL INFORMATION	
Light Source	LED
Colour / Finish	White
IP Rating	IP20
Class Protection	1
Internal / External	Internal
Surface / Recessed / Suspended	Ceiling, Suspended
Lumen Depreciation	L80 54,000h
Warranty (Years)	5
CE Mark	Yes
Height	70 mm

