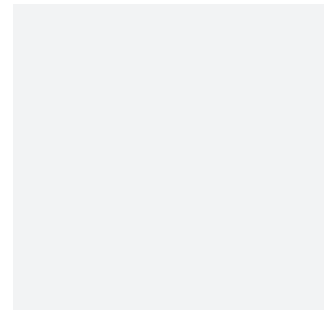
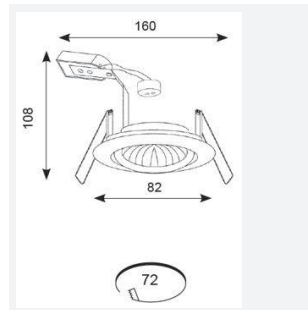
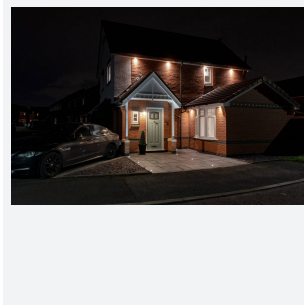
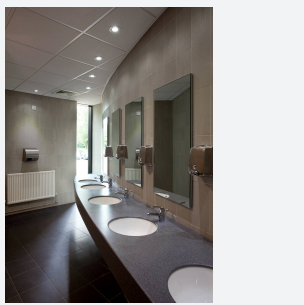




Twistlock GU10

Twistlock GU10 Die-Cast Downlight Satin Chrome
Code: ATLD/SC

Category	Downlights
Application	Hospitality, Residential, Retail
Specification	Performance



PRODUCT FEATURES

- IP65 downlight suitable for bathroom use (product supplied less lamp)
- Permanent earth on stirrup bracket for GU10 mains earthing
- Option to add Bluetooth and WiFi enabled smart WiZ GU10 lamp
- Manufactured from high grade die-cast aluminium
- Generous size of terminal housing and 2x1.5mm, + CPC loop-in, loop-out push fit terminals provide an easy and efficient installation

GENERAL INFORMATION	
Wattage	35W
Input	220-240V
Operating Temp	0°C - 25°C
Cut-Out Size	72
Product Weight without Packaging	0.114 kg

TECHNICAL INFORMATION	
Light Source	GU10
Colour / Finish	Satin Chrome
IP Rating	IP20
Class Protection	1
Internal / External	Internal
Surface / Recessed / Suspended	Recessed
Warranty (Years)	5
CE Mark	Yes
Diameter	82 mm
Height	110 mm
Accessories	ATL/BA

