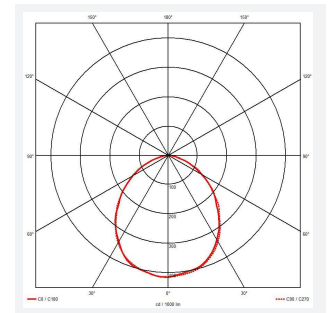
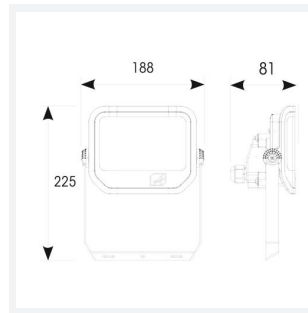




Telic

Telic CCT Floodlight 20W Black
Code: ATEL20/1/B

Category	Floodlights
Application	Commercial, Education, Healthcare, Hospitality, Industrial, Outdoor, Residential, Retail
Specification	Architectural



PRODUCT FEATURES

- Modern slimline LED floodlight with sleek unique design suitable for residential and commercial applications
- CCT selectable between 3000K, 4000K and 6000K
- Loop-in, loop-out junction back on the rear of the fitting
- Bracket design allows installation without removing mounting bracket
- Die-cast construction and heat sink design providing optimised thermal characteristics for optimum LED life and performance
- Plug and play PIR complete with manual override facility
- Pre-installed breathable gland prevents internal moisture accumulation
- Black textured paint finish

GENERAL INFORMATION	
Wattage	20W
Lumens Delivered	1700lm (4000K)
Lm/W	90lm/W (4000K)
Beam Angle	90
CRI	80
CCT	3000/4000/6000K
Input	220/240V
Operating Temp	-20°C - 40°C
SDCM	6
Energy efficiency class	E
Product Weight without Packaging	0.52 kg

TECHNICAL INFORMATION	
Light Source	LED
Colour / Finish	Black
IP Rating	IP65
Class Protection	1
Internal / External	Internal / External
Surface / Recessed / Suspended	Wall
Lumen Depreciation	L70 74,000h
Warranty (Years)	6
CE Mark	Yes
Height	225 mm

