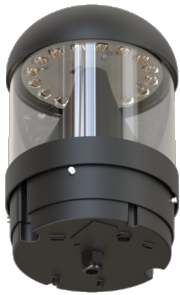




<b>Category</b>	Bollards
<b>Application</b>	Commercial, Education, Healthcare, Hospitality, Industrial, Retail
<b>Specification</b>	Performance

# Tauro

Tauro Bollard Black Self-Test Emergency  
**Code: ATAURO/1/BK/SM3**



## PRODUCT FEATURES

- Robust die-cast aluminium bollard with a textured graphite finish suitable for education, commercial and hospitality outdoor applications
- Precision-engineered lensed optic delivers exceptional light distribution and performance, ensuring maximum efficiency and visual comfort
- Comes complete with a AFIX connector (AFIXIP/1/SC/3C) for quick and easy IP rated connection
- CCT selectable between 3000K and 4000K and power selectable; offering a choice of 4 outputs, in one luminaire
- Removable head design allows easy access to the integrated CCT and wattage switches, seamlessly housed within the head for quick adjustments and enhanced convenience during installation or maintenance
- Supplied c/w base plate, root mounting kit accessory available

### GENERAL INFORMATION

<b>Wattage</b>	6W - 24W
<b>Lumens Delivered</b>	750lm - 2900lm (4000K)
<b>Lm/W</b>	125lm/W (4000K)
<b>Beam Angle</b>	140
<b>CRI</b>	80
<b>CCT</b>	3000K/4000K
<b>Input</b>	220-240V
<b>Operating Temp</b>	-30°C - 50°C
<b>SDCM</b>	5
<b>Product Weight without Packaging</b>	5.33 kg

### TECHNICAL INFORMATION

<b>Light Source</b>	LED
<b>Colour / Finish</b>	Black
<b>IP Rating</b>	IP66
<b>IK Rating</b>	IK08
<b>Class Protection</b>	1
<b>Internal / External</b>	External
<b>Surface / Recessed / Suspended</b>	Floor
<b>Lumen Depreciation</b>	L80 60,000h
<b>Warranty (Years)</b>	5
<b>CE Mark</b>	Yes
<b>Diameter</b>	170 mm
<b>Height</b>	1,040 mm

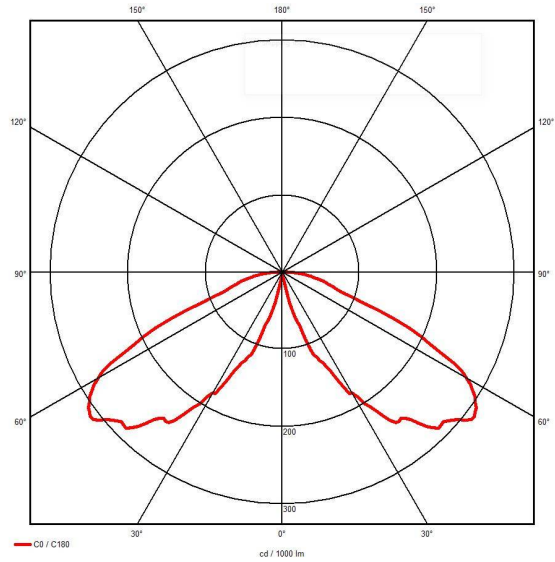
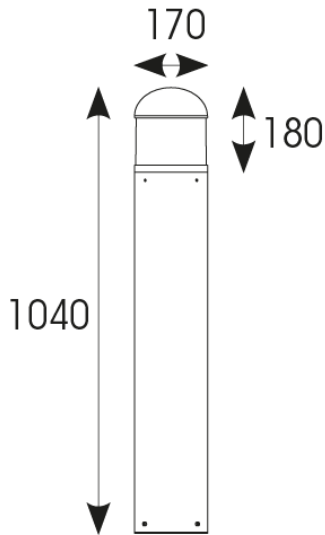




<b>Category</b>	Bollards
<b>Application</b>	Commercial, Education, Healthcare, Hospitality, Industrial, Retail
<b>Specification</b>	Performance

# Tauro

Tauro Bollard Black Self-Test Emergency  
Code: ATAURO/1/BK/SM3



## ACCESSORIES

ATAURO/HS/BK	Tauro Bollard Half Shield Black
ARMKIT/1	Bollard Root Mounting Kit

