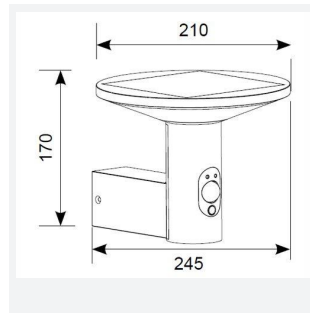


Talana Solar Wall Light

Talana Solar Wall Light Cool White
Code: ATASLED/WL

Category	Wall Lights
Application	Outdoor, Residential
Specification	Architectural



PRODUCT FEATURES

- Ultra modern die-cast solar powered aluminium LED wall light suitable for semi-commercial and residential applications
- PIR motion sensor as standard
- 2 operation modes:- 1) 11% output after sunset, motion detected 100% output, no motion 11% for 20 hours 2) Motion detected 100% output, no motion off
- Graphite textured powder coat paint finish

GENERAL INFORMATION	
CRI	80
CCT	4000K
Input	7.4V
Operating Temp	-20°C - 45°C
SDCM	6
Product Weight without Packaging	1.41 kg

TECHNICAL INFORMATION	
Light Source	LED
Colour / Finish	Graphite
IP Rating	IP54
Class Protection	3
Internal / External	External
Surface / Recessed / Suspended	Wall
Lumen Depreciation	L70 36,000h
Warranty (Years)	4
CE Mark	Yes
Height	170 mm

