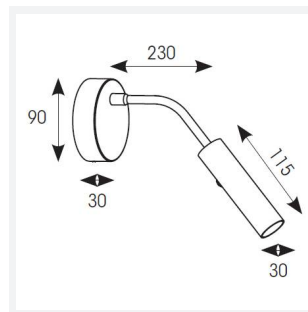




<b>Category</b>	Feature Lighting
<b>Application</b>	Commercial, Hospitality, Residential
<b>Specification</b>	Architectural

# Swan

Swan Wall Lamp Black  
Code: ASWA/B



- Die-cast aluminium body with integral driver
- Easy dimming with convenient switch on the side of head
- Available in black and white finish options
- Die-cast aluminium body with integral driver
- Plug and play connector ensures quick and easy installation

GENERAL INFORMATION	
Wattage	5W
Lumens Delivered	400lm
Lm/W	80lm/W
Beam Angle	40
CRI	90
CCT	3000K
Input	220-240V
Operating Temp	-10°C - 35°C
SDCM	6
Product Weight without Packaging	0.275 kg

TECHNICAL INFORMATION	
Light Source	LED
Colour / Finish	Black
IP Rating	IP20
Class Protection	1
Internal / External	Internal
Surface / Recessed / Suspended	Wall
Lumen Depreciation	L70 55,000h
Warranty (Years)	3
CE Mark	Yes
Diameter	90 mm

