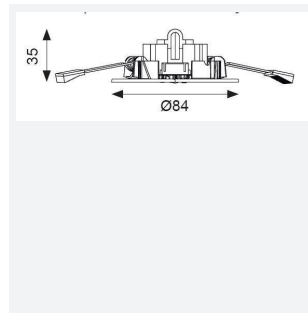




Signal Pro

Signal Pro Emergency Downlight Non-Code: ASPRLED/LI/3M/DA

Category	Emergency
Application	Ancillary, Commercial, Education, Healthcare, Hospitality, Industrial, Retail
Specification	Performance



PRODUCT FEATURES

- LiFePO4 Lithium battery provides enhanced product lifetime
- High specification optic design and performance allows increased spacing providing reduced cost
- 70mm to 120mm cut-out
- Supplied with open area and escape route interchangeable lenses
- DALI emergency as standard
- If not connected to DALI network Self-test mode operates automatically

GENERAL INFORMATION

Wattage	2.5W
Lumens Delivered	240lm(OA) / 230lm(ER)
Lm/W	115lm/W
Beam Angle	Open area - 144° Escape route - 143°x120°
CRI	70
CCT	6500K
Input	220-240V
Operating Temp	5°C - 40°C
SDCM	5
Cut-Out Size	72mm
Product Weight without Packaging	0.441 kg

TECHNICAL INFORMATION

Light Source	LED
Colour / Finish	White
IP Rating	IP20
Class Protection	2
Internal / External	Internal
Surface / Recessed / Suspended	Recessed
Lumen Depreciation	L80 72,000h
Warranty (Years)	6
CE Mark	Yes
Diameter	84 mm
Height	35 mm

