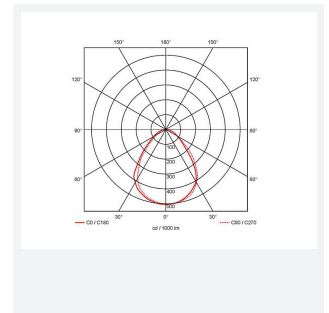
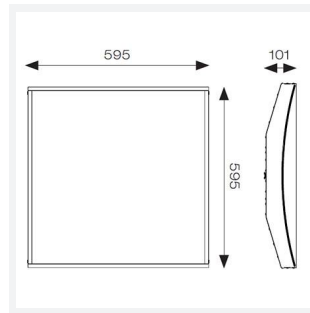


# Siipa Solo

Siipa Solo CCT Recessed Modular Self-Test  
Code: ASPASL/SM3

Category	Commercial Panels
Application	Commercial, Education, Healthcare
Specification	Architectural



## PRODUCT FEATURES

- High performance indirect recessed luminaire Ideal for office or commercial applications
- Selectable CCT between 3000K, 4000K and 6500K
- One piece curved diffuser provides a unique aesthetic
- TP(a) as Standard

GENERAL INFORMATION	
Wattage	19W
Lumens Delivered	2300lm (4000K)
Lm/W	122lm/W (4000K)
Beam Angle	80
CRI	80
CCT	3000/4000/6500K
Input	220-240V
Operating Temp	0°C - 40°C
SDCM	5
UGR	16
Cut-Out Size	585x585mm

TECHNICAL INFORMATION	
Light Source	LED
Colour / Finish	White
IP Rating	IP20
Class Protection	2
Internal / External	Internal
Surface / Recessed / Suspended	Recessed
Lumen Depreciation	L80 100,000h
Warranty (Years)	5
CE Mark	Yes
Height	101 mm

