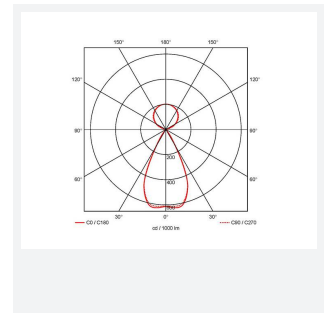
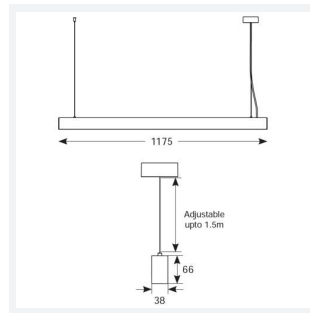


# Sidu

Sidu Bi-directional Suspended Pendant 1200mm  
Code: ASIDLED/CW

Category	Commercial Linear
Application	Commercial, Education
Specification	Architectural



## PRODUCT FEATURES

- Aluminium bi-directional suspended pendant with polycarbonate diffuser suitable for office, retail and commercial applications
- Slim profile available in Aluminium (RAL9006)
- Bi-directional light output split equally
- 1-10V dimmable as standard
- Suitable for individual or continuous suspension (link bracket included)
- Supplied c/w 1.5m adjustable suspension kit as standard
- Black polycarbonate micro reflector design helps achieve UGR<6 (unified glare rating) compliant luminaire ideal for most interior lighting applications

GENERAL INFORMATION	
Wattage	50W
Lumens Delivered	5200lm
Lm/W	104lm/W
Beam Angle	60
CRI	80
CCT	4000K
Input	220-240V
Operating Temp	-20°C - 45°C
SDCM	3
UGR	10
Product Weight without Packaging	2.463 kg

TECHNICAL INFORMATION	
Light Source	LED
Colour / Finish	Aluminium
IP Rating	IP20
Class Protection	1
Internal / External	Internal
Surface / Recessed / Suspended	Suspended
Lumen Depreciation	L80 54,000h
Warranty (Years)	5
CE Mark	Yes

