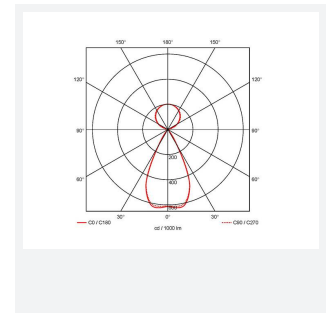
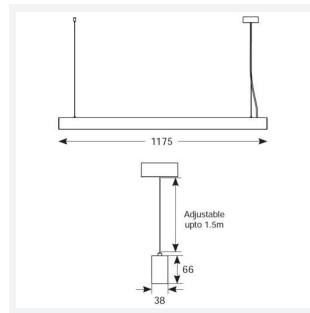


Sidu

Sidu Bi-directional Suspended Pendant 1200mm
Code: ASIDLED/CW/OCTO

| | |
|---------------|-----------------------|
| Category | Commercial Linear |
| Application | Commercial, Education |
| Specification | Architectural |



PRODUCT FEATURES

- Aluminium bi-directional suspended pendant with polycarbonate diffuser suitable for office, retail and commercial applications
- Slim profile available in Aluminium (RAL9006)
- Bi-directional light output split equally
- 1-10V dimmable as standard
- Suitable for individual or continuous suspension (link bracket included)
- Supplied c/w 1.5m adjustable suspension kit as standard
- Black polycarbonate micro reflector design helps achieve UGR<6 (unified glare rating) compliant luminaire ideal for most interior lighting applications

| GENERAL INFORMATION | |
|----------------------------------|--------------|
| Wattage | 50W |
| Lumens Delivered | 5200lm |
| Lm/W | 104lm/W |
| Beam Angle | 60 |
| CRI | 80 |
| CCT | 4000K |
| Input | 220-240V |
| Operating Temp | -20°C - 45°C |
| SDCM | 3 |
| UGR | 10 |
| Product Weight without Packaging | 1.617 kg |

| TECHNICAL INFORMATION | |
|--------------------------------|-------------|
| Light Source | LED |
| Colour / Finish | Aluminium |
| IP Rating | IP20 |
| Class Protection | 1 |
| Internal / External | Internal |
| Surface / Recessed / Suspended | Suspended |
| Lumen Depreciation | L90 42,000h |
| Warranty (Years) | 5 |
| CE Mark | Yes |

