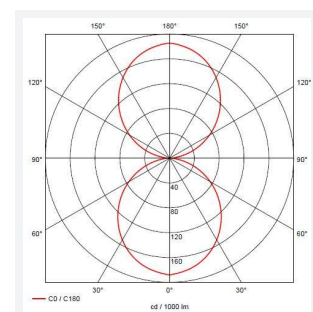
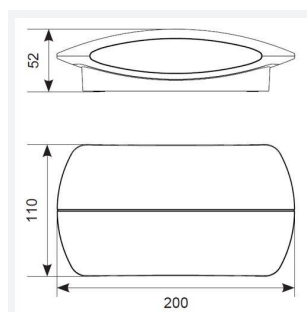
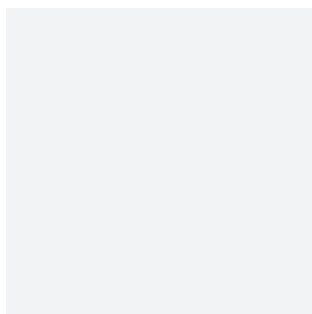
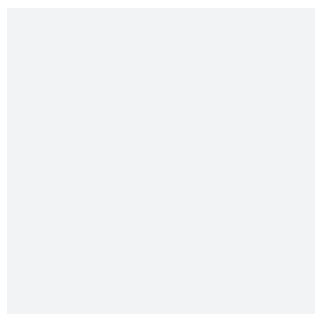




Segano

Segano Wall Light
Code: ASEGLD

Category	Wall Lights
Application	Hospitality, Outdoor, Residential, Retail
Specification	Architectural



- Die-cast aluminium construction with polycarbonate diffuser
- 90° beam angle

- Die-cast aluminium construction with polycarbonate diffuser
- Non-dimmable

GENERAL INFORMATION

Wattage	13W
Lumens Delivered	610lm
Lm/W	47lm/W
Beam Angle	90
CRI	80
CCT	4000K
Input	220-240V
Operating Temp	-20°C - 50°C
SDCM	3
Product Weight without Packaging	0.703 kg

TECHNICAL INFORMATION

Light Source	LED
Colour / Finish	Graphite
IP Rating	IP54
Class Protection	1
Internal / External	External
Surface / Recessed / Suspended	Wall
Lumen Depreciation	L80 50,000h
Warranty (Years)	3
CE Mark	Yes
Height	110 mm

