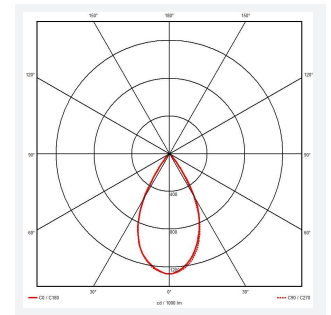
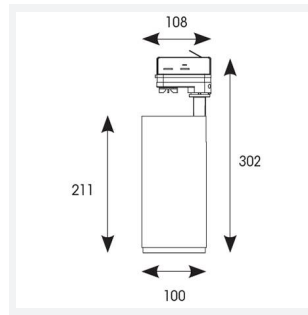




# Primo Three Circuit

Primo 3 Three Circuit Warm White Mains Black  
Code: APRT3/P3/1/WW/B

|               |   |
|---------------|---|
| Category      | Track Lighting                              |
| Application   | Ancillary, Hospitality, Residential, Retail |
| Specification | Architectural                               |



## PRODUCT FEATURES

- Three circuit modern and slimline LED track spot with integral driver suitable for hospitality, residential, retail and ancillary applications
- 350° rotation with 0-90° tilt on the bracket
- Anti-glare design to create visual comfort
- Gold trim ring accessory available for unique appearance
- Lightweight aluminium design provides sleek appearance and easy install
- Mirror finish anodized reflector
- Interchangeable 24° and 36° lens accessories ensuring suitability for a range of application installations
- Triac dimmable as standard, DALI dimmable option also available

| GENERAL INFORMATION              |              |
|----------------------------------|--------------|
| Wattage                          | 30W          |
| Lumens Delivered                 | 2800lm       |
| Lm/W                             | 93lm/W       |
| Beam Angle                       | 60           |
| CRI                              | 90           |
| CCT                              | 3000K        |
| Input                            | 220-240V     |
| Operating Temp                   | -20°C - 40°C |
| SDCM                             | 3            |
| UGR                              | 22           |
| Product Weight without Packaging | 1.15 kg      |

| TECHNICAL INFORMATION |             |
|-----------------------|-------------|
| Light Source          | LED         |
| Colour / Finish       | Black       |
| IP Rating             | IP20        |
| Class Protection      | 1           |
| Internal / External   | Internal    |
| Lumen Depreciation    | L80 36,000h |
| Warranty (Years)      | 5           |
| CE Mark               | Yes         |
| Diameter              | 100 mm      |
| Height                | 302 mm      |

