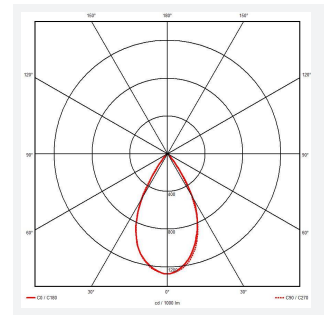
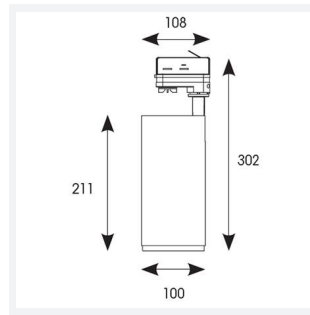




Primo Single Circuit

Primo 3 Single Circuit Warm White Mains Black
Code: APRT3/P1/1/WW/B

| | |
|---------------|---|
| Category | Track Lighting |
| Application | Ancillary, Hospitality, Residential, Retail |
| Specification | Architectural |



PRODUCT FEATURES

- Single circuit modern and slimline LED track spot with integral driver suitable for hospitality, residential, retail and ancillary applications
- 350° rotation with 0-90° tilt on the bracket
- Anti-glare design to create visual comfort
- Gold trim ring accessory available for unique appearance
- Lightweight aluminium design provides sleek appearance and easy install
- Mirror finish anodized reflector
- Interchangeable 24° and 36° lens accessories ensuring suitability for a range of application installations
- Triac dimmable as standard

| GENERAL INFORMATION | |
|----------------------------------|--------------|
| Wattage | 30W |
| Lumens Delivered | 2800lm |
| Lm/W | 93lm/W |
| Beam Angle | 60 |
| CRI | 90 |
| CCT | 3000K |
| Input | 220-240V |
| Operating Temp | -20°C - 40°C |
| SDCM | 3 |
| UGR | 22 |
| Product Weight without Packaging | 1.15 kg |

| TECHNICAL INFORMATION | |
|-----------------------|-------------|
| Light Source | LED |
| Colour / Finish | Black |
| IP Rating | IP20 |
| Class Protection | 1 |
| Internal / External | Internal |
| Lumen Depreciation | L80 36,000h |
| Warranty (Years) | 5 |
| CE Mark | Yes |
| Diameter | 100 mm |
| Height | 302 mm |

