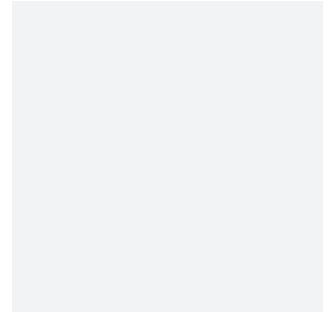
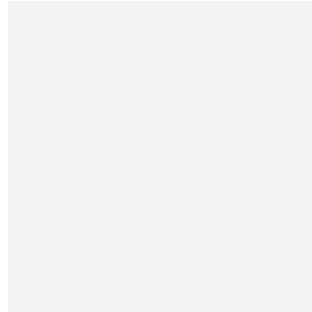
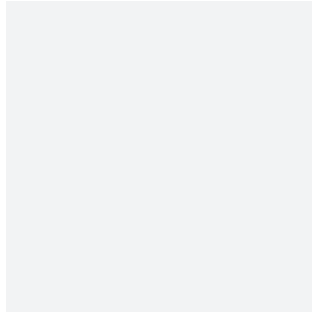
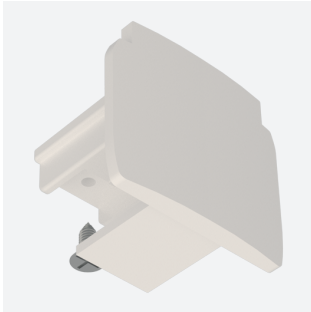


Primo Single Circuit Track and Accessories

Primo Single Circuit End Cap White

Code: APRT/P1/EC/1/W

Category	Track Lighting
Application	Ancillary, Hospitality, Residential, Retail
Specification	Architectural



PRODUCT FEATURES

- Primo Single Circuit Track and Accessories
- Option of left and right feed for Live end, L and T connectors

GENERAL INFORMATION

Product Weight without Packaging 0

TECHNICAL INFORMATION

Colour / Finish White
Internal / External Internal
Warranty (Years) 5

