

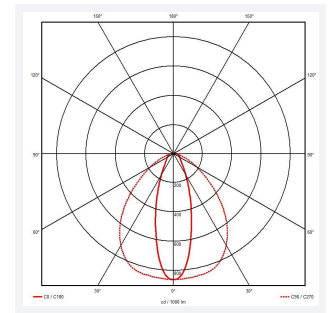
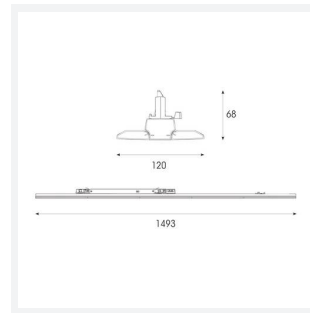


Primo Libero

Application Ancillary, Commercial, Retail

Specification Architectural

Code: APRL2/P3/1/WW/B/DD3



- Three circuit modern LED linear track light with integral driver suitable for commercial and retail applications
- Unique adjustable wing design can tilt up to 30° in either direction allowing more targeted area illumination, perfect for highlighting specific areas in retail applications. (Double versions have 2 adjustable wings and a central non-adjustable fixed line)
- Versatile track adaptor design can slide to avoid track joints, ensuring a quick and easy install
- Compatible with all other Three Circuit Primo Track lighting products
- Lightweight razor-thin aluminium profile design blends into the track system providing a minimal and sleek appearance
- Simple click and lock system for easy installation
- DALI dimmable as standard

GENERAL INFORMATION

Wattage	35W - 50W
Lumens Delivered	4400lm - 6100lm
Lm/W	120lm/W
Beam Angle	30/90
CRI	90
CCT	3000
Input	220-240V
Operating Temp	-25 to 40
SDCM	3
UGR	22
Energy efficiency class	C
Product Weight without Packaging	1.2 kg

TECHNICAL INFORMATION

Light Source	LED
Colour / Finish	Black
IP Rating	IP20
Class Protection	1
Internal / External	Internal
Surface / Recessed / Suspended	Surface, Suspended
Lumen Depreciation	L80 60,000h
Warranty (Years)	5
CE Mark	Yes

