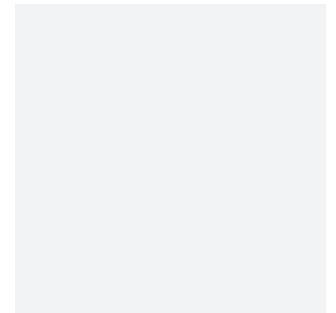
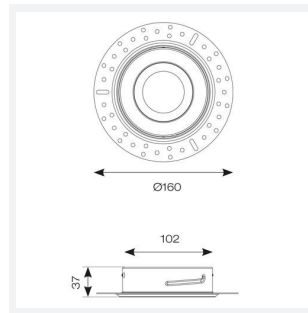


Prism Pro Trimless Bezel Kit

Category	Downlights
Application	Ancillary, Hospitality, Residential, Retail
Specification	Architectural

Prism Pro Trimless Bezel Kit
Code: APRILEDP/TRIM



PRODUCT FEATURES

- Steep baffle construction recesses the downlight providing a deep cut-off angle ensuring maximum glare control and visual comfort
- Intelligent 2 part kit design is accessible from underneath the ceiling both during and after installation. The main body can be fixed to the ceiling whilst the internal push to release main cone can be attached afterwards. This allows for quicker and easier installation and product maintenance
- Pre-drilled screw holes ensure a quick and easy installation
- Please note: This product comes supplied less downlight
- Steep baffle construction recesses the downlight providing a deep cut-off angle ensuring maximum glare control and visual comfort
- Suitable for residential and commercial applications, providing an architectural and modern appearance
- Wide design allows suitability for retro-fit applications replacing hole cut-outs up to 160mm

GENERAL INFORMATION

Product Weight without Packaging 0.265

TECHNICAL INFORMATION

Colour / Finish	White
Internal / External	Internal
Surface / Recessed / Suspended	Recessed
Diameter	160 mm
Accessories	APRILEDP/OCTOW, APRILEDP/CW, APRILEDP/WW, APRILEDP/CCT

