

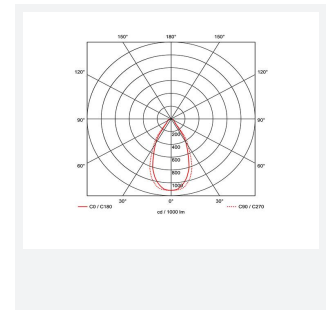
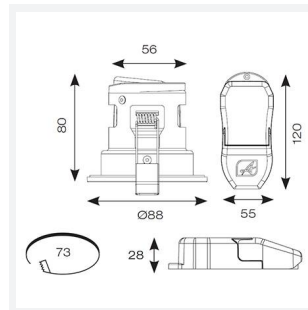
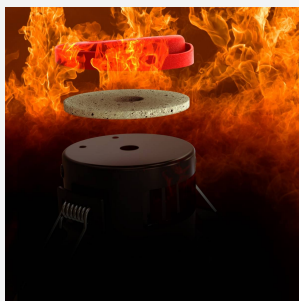


OCTO Prism Pro Anti-Glare FRD Connected by Wiz

OCTO Prism Pro Anti-Glare FRD Connected by Wiz

Code: APRILEDP/AG/OCTOW

Category	Downlights
Application	Ancillary, Hospitality, Residential, Retail
Specification	Architectural



PRODUCT FEATURES

- IP65 Dimmable LED WIZ enabled tunable white Fire Rated Anti-Glare Downlight suitable for residential and commercial applications
- Anti-glare design to create visual comfort
- Remote driver with 2x1.5mm² + CPC loop-in, loop-out colour coded push fit piano terminals provide an easy and efficient installation
- Low profile design and remote driver allow installation into shallow ceiling voids
- Supplied with matt white bezel as standard
- Tunable between 2700K - 6000K via Wiz App and voice control
- Detachable LED driver for fast fix install
- Fully tested for 30, 60 and 90 minute ceiling types to meet Part B of Building Regulations

GENERAL INFORMATION	
Wattage	8W
Lumens Delivered	400lm - 410lm (2700K - 6500K)
Lm/W	50lm/W (2700K - 6000K)
Beam Angle	50
CRI	80
CCT	2700-6500K
Input	220/240V
Operating Temp	-5°C - 25°C
SDCM	6
UGR	18
Cut-Out Size	73mm
Product Weight without Packaging	0.311 kg

TECHNICAL INFORMATION	
Light Source	LED
Colour / Finish	Matt White
Fire Rated	Yes
IP Rating	IP65
Class Protection	2
Internal / External	Internal
Surface / Recessed / Suspended	Recessed
Lumen Depreciation	L70 60,000h
Warranty (Years)	5
CE Mark	Yes
Diameter	88 mm
Height	80 mm
Accessories	APRILEDPBZ/AG/WW, APRILEDPBZ/AG/BB, APRILEDPBZ/AG/CHB, APRILEDPBZ/AG/SCB, ACFLP/3

