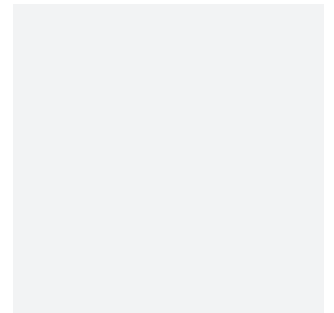
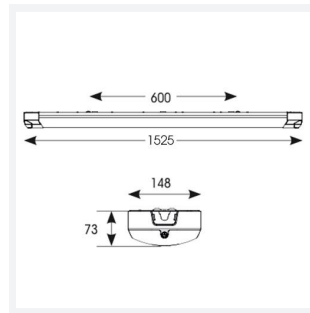
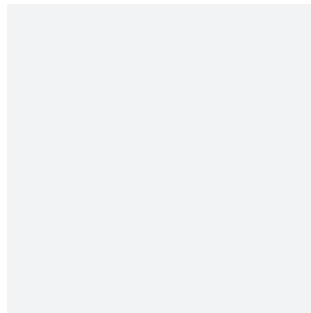




# Proline Evo

Proline EVO 1500mm CCT  
Code: APRE5/1

|               |                       |
|---------------|-----------------------|
| Category      | Commercial Linear     |
| Application   | Commercial, Education |
| Specification | Performance           |



- Surface linear suitable for educational and commercial applications
- Steel powder coated body with reeded opal polycarbonate diffuser and retained end caps
- CCT selectable between 3000K and 4000K and power selectable; offering a choice of 2 outputs, in one luminaire
- Corridor Function for dimmable microwave sensor options
- Modern contemporary fully enclosed high performance surface luminaire
- Low glare and uniform light distribution
- Self-test emergency option
- Powered by Philips and Tridonic drivers

## GENERAL INFORMATION

|                                  |                         |
|----------------------------------|-------------------------|
| Wattage                          | 24W - 42W               |
| Lumens Delivered                 | 3200lm - 5600lm (4000K) |
| Lm/W                             | 130lm/W                 |
| Beam Angle                       | 120                     |
| CRI                              | 80                      |
| CCT                              | 3000/4000K              |
| Input                            | 220-240V                |
| Operating Temp                   | -10°C - 40°C            |
| SDCM                             | 6                       |
| UGR                              | 22                      |
| Product Weight without Packaging | 3.708 kg                |

## TECHNICAL INFORMATION

|                                |                    |
|--------------------------------|--------------------|
| Light Source                   | LED                |
| Colour / Finish                | White              |
| IP Rating                      | IP20               |
| Class Protection               | 1                  |
| Internal / External            | Internal           |
| Surface / Recessed / Suspended | Ceiling, Suspended |
| Lumen Depreciation             | L70 54,000h        |
| Warranty (Years)               | 5                  |
| CE Mark                        | Yes                |
| Height                         | 73 mm              |

