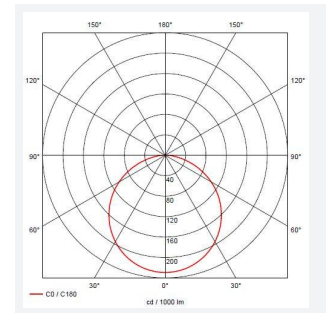
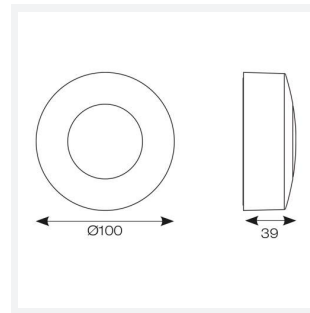
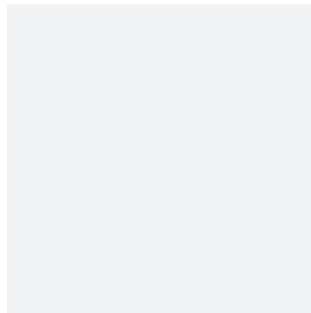




Pi Wall/Ceiling

Pi LED Wall/Ceiling CCT Graphite
Code: APIWCLED/GR

Category	Downlights
Application	Hospitality, Outdoor, Residential, Retail
Specification	Architectural



- Modern surface mounted ultra-slim wall/ceiling light suitable for residential and hospitality applications
- Push fit loop-in loop-out terminals for ease of installation
- CCT selectable between 3000K and 4000K
- Non-dimmable
- Die-cast aluminium construction with choice of white or graphite paint finish
- Anti-glare toughened tempered opal glass front diffuser
- Screwless front cover with concealed allen key access provides security and a sleek design

GENERAL INFORMATION	
Wattage	2.5W
Lumens Delivered	150lm (4000K)
Lm/W	63lm/W (4000K)
Beam Angle	115
CRI	80
CCT	3000K/4000K
Input	220-240V
Operating Temp	-20°C - 25°C
SDCM	3
Energy efficiency class	D
Product Weight without Packaging	0.227 kg

TECHNICAL INFORMATION	
Light Source	LED
Colour / Finish	Graphite
IP Rating	IP65
Class Protection	1
Internal / External	External
Surface / Recessed / Suspended	Ceiling, Wall
Warranty (Years)	3
CE Mark	Yes
Diameter	100 mm

