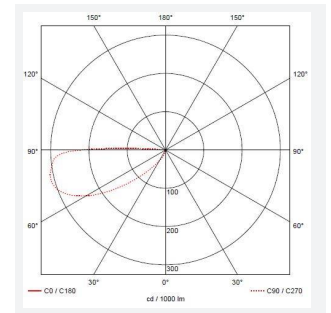
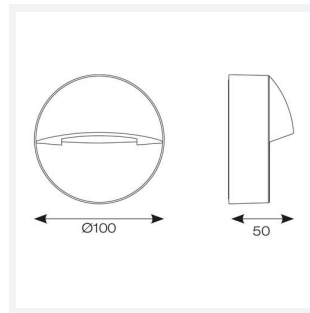




# Pi Low Level

Pi LED Low Level CCT Graphite  
Code: APILLED/GR

|               |   |
|---------------|---|
| Category      | Wall Lights                               |
| Application   | Hospitality, Outdoor, Residential, Retail |
| Specification | Architectural                             |



## PRODUCT FEATURES

- Modern surface mounted ultra-slim low level light with downward light spill suitable for residential and hospitality applications
- Push fit loop-in loop-out terminals for ease of installation
- CCT selectable between 3000K and 4000K
- Non-dimmable
- Die-cast aluminium construction with choice of white or graphite paint finish
- Anti-glare opal polycarbonate front diffuser
- Screwless front cover with concealed allen key access provides security and a sleek design

| GENERAL INFORMATION              |                |
|----------------------------------|----------------|
| Wattage                          | 2.5            |
| Lumens Delivered                 | 60lm (4000K)   |
| Lm/W                             | 25lm/W (4000K) |
| Beam Angle                       | 20/60          |
| CRI                              | 80             |
| CCT                              | 3000K/4000K    |
| Input                            | 220/240V       |
| Operating Temp                   | -20°C - 25°C   |
| SDCM                             | 3              |
| Energy efficiency class          | F              |
| Product Weight without Packaging | 0.218 kg       |

| TECHNICAL INFORMATION          |          |
|--------------------------------|----------|
| Light Source                   | LED      |
| Colour / Finish                | Graphite |
| IP Rating                      | IP65     |
| Class Protection               | 1        |
| Internal / External            | External |
| Surface / Recessed / Suspended | Wall     |
| Warranty (Years)               | 3        |
| CE Mark                        | Yes      |
| Diameter                       | 100 mm   |

