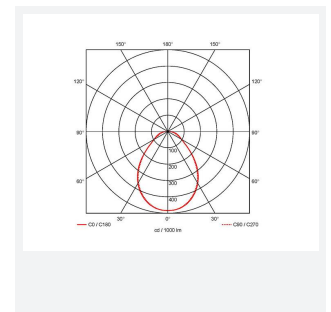
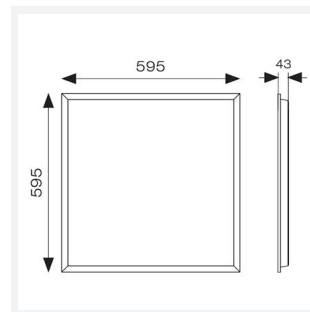
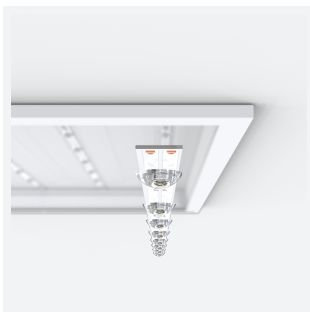




# Pace Plus

Pace Plus 600x600 Multi Wattage DALI-  
Code: APACP/60/CW/DM3

|               |  |
|---------------|--|
| Category      | Commercial Panels  |
| Application   | Ancillary, Commercial, Education, Healthcare, Industrial, Retail |
| Specification | Performance  |



## PRODUCT FEATURES

- Industry leading super high efficiency (up to 180lm/W) backlit LED panel suitable for education, commercial and ancillary area applications
- UGR<19 (unified glare rating) compliant luminaire assisting to eliminate glare for visual comfort
- Dimmable and OCTO options available
- Switch Dim, DALI and 0-10V dimming capability using the multi dimmable driver accessories ADDIM30/MC
- Slimline design allows for installation into shallow ceiling voids
- Power selectable; offering a choice of 4 outputs, in one luminaire
- TPa as standard
- Self-Test Panel Pod and Sensor Pod compatible

| GENERAL INFORMATION              |                 |
|----------------------------------|-----------------|
| Wattage                          | 12W - 18W       |
| Lumens Delivered                 | 2100lm - 3100lm |
| Lm/W                             | 180lm/W         |
| Beam Angle                       | 80              |
| CRI                              | 80              |
| CCT                              | 4000K           |
| Input                            | 220/240V        |
| Operating Temp                   | 0°C - 40°C      |
| SDCM                             | 3               |
| UGR                              | 18              |
| Cut-Out Size                     | 585x585mm       |
| Product Weight without Packaging | 2.451 kg        |

| TECHNICAL INFORMATION          |   |
|--------------------------------|---|
| Light Source                   | LED   |
| Colour / Finish                | White   |
| IP Rating                      | IP20  |
| Class Protection               | 2   |
| Internal / External            | Internal  |
| Surface / Recessed / Suspended | Ceiling, Recessed, Suspended  |
| Lumen Depreciation             | L90 52,000h   |
| Warranty (Years)               | 6   |
| CE Mark                        | Yes   |
| Height                         | 47.3 mm   |
| Accessories                    | AIRMLD/POD/3NM/ST, AIRMLD/POD/MWS, APACLED/SK, AERMLD/60/SMF, APRK/60 |

