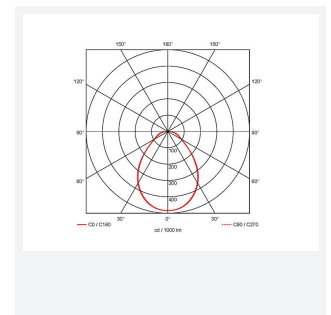
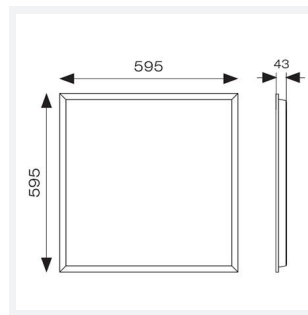
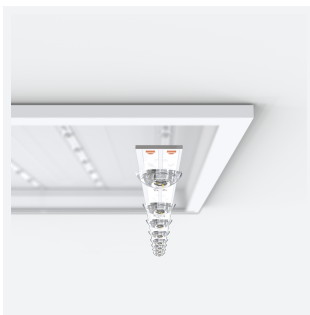




Pace Plus

Pace Plus 600x600 Multi Wattage Switch Dim
Code: APACP/60/CW/DD1

Category	Commercial Panels
Application	Ancillary, Commercial, Education, Healthcare, Industrial, Retail
Specification	Performance



PRODUCT FEATURES

- Industry leading super high efficiency (up to 180lm/W) backlit LED panel suitable for education, commercial and ancillary area applications
- UGR<19 (unified glare rating) compliant luminaire assisting to eliminate glare for visual comfort
- Dimmable and OCTO options available
- Switch Dim, DALI and 0-10V dimming capability using the multi dimmable driver accessories ADDIM30/MC
- Slimline design allows for installation into shallow ceiling voids
- Power selectable; offering a choice of 4 outputs, in one luminaire
- TPa as standard
- Self-Test Panel Pod and Sensor Pod compatible

GENERAL INFORMATION	
Wattage	12W - 18W
Lumens Delivered	2100lm - 3100lm
Lm/W	180lm/W
Beam Angle	80
CRI	80
CCT	4000K
Input	220/240V
Operating Temp	-20°C - 40°C
SDCM	3
UGR	18
Cut-Out Size	585x585mm
Product Weight without Packaging	2.45 kg

TECHNICAL INFORMATION	
Light Source	LED
Colour / Finish	White
IP Rating	IP20
Class Protection	2
Internal / External	Internal
Surface / Recessed / Suspended	Ceiling, Recessed, Suspended
Lumen Depreciation	L90 52,000h
Warranty (Years)	6
CE Mark	Yes
Height	47.3 mm

