

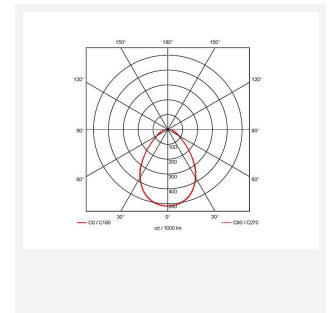
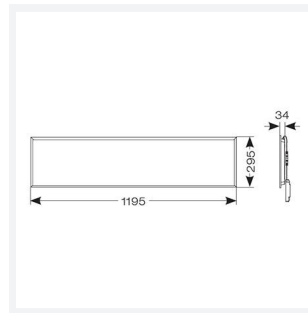
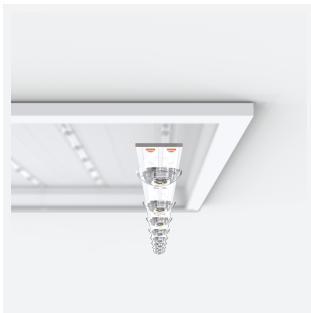


Pace 1200x300

Category Commercial Panels

Application Ancillary, Commercial, Education, Healthcare, Industrial, Retail

Code: APACLED1/30/WW/DM3



- Backlit LED panel suitable for education, commercial and ancillary area applications
- UGR<19 (unified glare rating) compliant luminaire assisting to eliminate glare for visual comfort
- Dimmable and OCTO options available
- Switch Dim, DALI and 0-10V dimming capability using the multi dimmable driver accessories ADDIM/30/MC
- Slimline design allows for installation into shallow ceiling voids
- Cool white, warm white and daylight options
- TPa as standard
- Self-Test Panel Pod and Sensor Pod compatible

GENERAL INFORMATION

| | |
|------------------|------------|
| Wattage | 27W |
| Lumens Delivered | 3100lm |
| Lm/W | 115lm/W |
| Beam Angle | 80 |
| CRI | 80 |
| CCT | 3000K |
| Input | 220-240V |
| Operating Temp | 0°C - 40°C |
| SDCM | 3 |
| UGR | 18 |

TECHNICAL INFORMATION

| | |
|--------------------------------|------------------------------|
| Light Source | LED |
| Colour / Finish | White |
| IP Rating | IP44 |
| Class Protection | 2 |
| Internal / External | Internal |
| Surface / Recessed / Suspended | Ceiling, Recessed, Suspended |
| Lumen Depreciation | L80 54,000h |
| Warranty (Years) | 5 |
| CE Mark | Yes |
| Height | 34 mm |

